

**GS1 standards in the logistic:
Logistic information flow with EANCOM® 2002
Version 2.3**

Single transport and warehouse invoice
(INVOIC)

EANCOM® 2002 Syntax 3

Introduction.....	2
Business Terms	4
Branching Diagram	8
Message structure	18
Segment Layout	21
Used Codes.....	96
Example.....	194

Introduction

Introduction

The aim of the brochure on hand is to offer documentation describing the exchange of purchase order data between business partners.

The basis of this elaboration is the international standard EANCOM® 2002. The message type INVOIC 010 is used to transmit relevant data. GEFEG.FX (Gefeg mbH, Berlin) was used as the documentation tool.

Please be aware to know that this booklet does not replace the complete specifications in the original chapters or other relevant instructions within the EANCOM® 2002 documentation. Instead, it deals with the description of segments, data elements and codes to be used for a specific task.

The current documentation has been produced by the GS1 Germany GmbH in Cologne. GS1 Germany assumes no liability for any damages incurring from the use of this documentation. This brochure or extracts thereof may only be published or forwarded to third parties with the express written consent of GS1 Germany, which holds copyright on this work.

Important note:

To fulfill the requirements of directive 2003/58/EG, article 4, C058 has been opened in NAD segments identifying a message sender. If the place in the 5 DE 3124 is not sufficient, the following RFF segments can be used, qualified with DE 1153 = GN. DE 1154 has got a capacity of 70 digits. Only in those cases, when no RFF segment follows NAD, a RFF+GN can be used in the heading section of the message. Within the EDI recommendations of GS1 Germany this is only applicable for the messages REMADV and SLSFCT.

This brochure offers different ways to start:

"Introduction" contains a short description of the respective message.

"Business Terms", is a table which links directly to the sequence numbers of the segments.

"Diagram", is a hierarchical graphic depiction of all used segments in the same sequence as they are defined in the EANCOM® message. However, every segment is shown only once, and it is therefore possible that the sequence numbering is interrupted.

"Structure", is a list of all used segments in the same sequence as they are defined in the EANCOM® message. In general, for each piece of information one single segment is provided. Exeptions may arise when the the occurrence of a segment is limited and can contain alternative information (e.g., segment BGM).

"Segmentlayout", an illustration that has been chosen to match the business terms (data from the inhouse application) with the elements from the EANCOM® syntax.

"Codes" contains a list of the codes used in the message.

"Examples", provides at least one message example with comments. Please note that, for technical reasons, the examples can contain component data element separators, which would otherwise be represented as data element separators in the original messages.

"Print" opens the PDF documentation for the corresponding message.

The following conventions apply to this brochure:

Introduction

Message structure

Heading section

Specification of buyer and supplier, message date and number.

Detail section

Specification of SSCC to identify shipments and quantity.

Summary section

Specification of totals of the message.

Business Terms

Business Term	EANCOM-Segment		Data Element	
	Seg.-No.	Segment SG	DEG	DE
(VA)Tax registration number of issuer of invoice	24	RFF SG2#1\SG3#2	C506	1154
Acknowledgement request	2	UNB		0031
Additional ID of goods consignee	33	RFF SG2#4\SG3#1	C506	1154
Additional ID of goods consignor	31	RFF SG2#3\SG3#1	C506	1154
Additional ID of issuer of invoice	23	RFF SG2#1\SG3#1	C506	1154
Additional ID of the place of loading	35	RFF SG2#5\SG3#1	C506	1154
Address for reverse routing	2	UNB	S002	0008
Application reference	2	UNB		0026
Character set	2	UNB	S001	0001
Component data element separator	1	UNA		UNA1
Country of the goods consignee, coded	32	NAD SG2#4		3207
Country of the goods consignor, coded	30	NAD SG2#3		3207
Country of the place of loading, coded	34	NAD SG2#5		3207
Creation date	5	DTM	C507	2380
Currency	37	CUX SG7#1	C504	6345
Data element separator	1	UNA		UNA2
Decimal notation	1	UNA		UNA3
Delivery date	6	DTM	C507	2380
Delivery note (s)	18	RFF SG1#5	C506	1154
Delivery note number date	19	DTM SG1#5	C507	2380
Delivery terms	43	TOD SG12#1	C100	4053
Delivery terms location	44	LOC SG12#1	C517	3224
Detail and Summary section separation	56	UNS		0081
Document number invoice of transport/warehouse	4	BGM	C106	1004
Document qualification	4	BGM	C002	1000
Due date without deduction	40	DTM SG8#1	C507	2380
EANCOM	2	UNB		0032
End of the transmission file	67	UNZ		0036
EU delivery, code	9	FTX	C107	4441
EU delivery, free text	9	FTX	C108	4440
File creation date	2	UNB	S004	0017
File creation time	2	UNB	S004	0019
GTIN - Logistic service	45	LIN SG26#1	C212	7140
Identification of invoicee	26	NAD SG2#2	C082	3039
Identification of issuer of invoice	22	NAD SG2#1	C082	3039
Identification of the goods consignee	32	NAD SG2#4	C082	3039
Identification of the goods consignor	30	NAD SG2#3	C082	3039

Business Terms

Business Term	EANCOM-Segment		Data Element	
	Seg.-No.	Segment SG	DEG	DE
Identification of the place of loading	34	NAD SG2#5	C082	3039
Identification of the receiver of the transmission file	2	UNB	S003	0010
Identification of the sender of the transmission file	2	UNB	S002	0004
Interchange control reference, beginnig	2	UNB		0020
Interchange control reference, end	67	UNZ		0020
Invoice register date	11	DTM SG1#1	C507	2380
Invoice register date	13	DTM SG1#2	C507	2380
Invoice register number	10	RFF SG1#1	C506	1154
Invoice register number	12	RFF SG1#2	C506	1154
Invoice related referce date	21	DTM SG1#6	C507	2380
Invoice related reference	20	RFF SG1#6	C506	1154
Invoice taxable amount	60	MOA SG50#3	C516	5004
Invoice taxable amount per VAT rate	64	MOA SG52#1	C516	5004
Invoice total line items amount	59	MOA SG50#2	C516	5004
Invoice total line items amount per VAT rate	65	MOA SG52#1	C516	5004
Invoice total tax amount	61	MOA SG50#4	C516	5004
Invoiced quantity	48	QTY SG26#1	C186	6060
Invoices (VA)Tax registration number	28	RFF SG2#2\SG3#2	C506	1154
Invoices account number	29	RFF SG2#2\SG3#3	C506	1154
Invoices internal identification in suppliers system	27	RFF SG2#2\SG3#1	C506	1154
Line item number	45	LIN SG26#1		1082
Message function	4	BGM		1225
Message reference number	3	UNH		0062
Name 1 of the goods consignee	32	NAD SG2#4	C080	3036
Name 1 of the goods consignor	30	NAD SG2#3	C080	3036
Name 1 of the place of loading	34	NAD SG2#5	C080	3036
Name 2 of the goods consignee	32	NAD SG2#4	C080	3036
Name 2 of the goods consignor	30	NAD SG2#3	C080	3036
Name 2 of the place of loading	34	NAD SG2#5	C080	3036
Name 3 of the goods consignee	32	NAD SG2#4	C080	3036
Name 3 of the goods consignor	30	NAD SG2#3	C080	3036
Name 3 of the place of loading	34	NAD SG2#5	C080	3036
Net amount of the service type	49	MOA SG26#1\SG27#1	C516	5004
Number of a package	53	PCI SG26#1\SG31#1\SG32#1	C210	7102
Number of messages or message groups	67	UNZ		0036

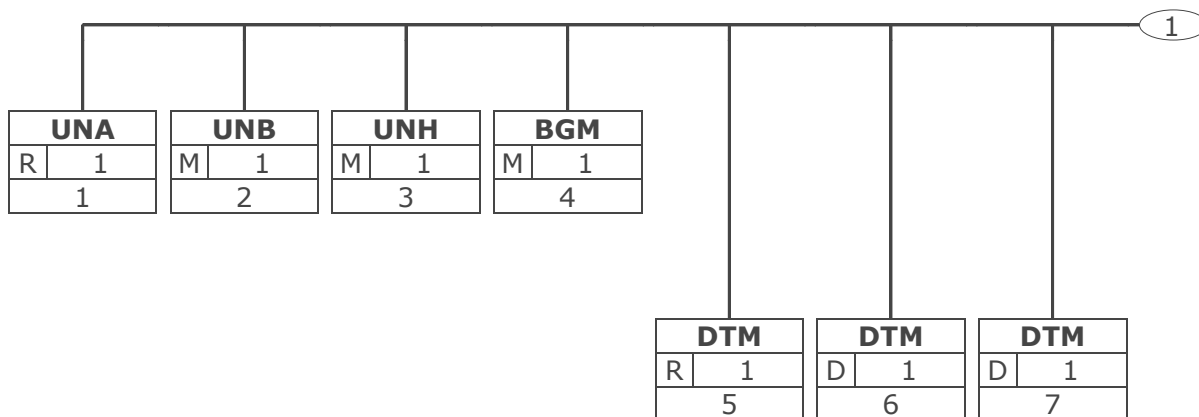
Business Terms

Business Term	EANCOM-Segment		Data Element	
	Seg.-No.	Segment SG	DEG	DE
Number of packages (service type)	51	PAC SG26#1\SG31#1		7224
Order number of the sender	14	RFF SG1#3	C506	1154
Package identification type	53	PCI SG26#1\SG31#1\SG32#1		4233
Password interchange	2	UNB	S005	0022
Payment term due date	39	PAT SG8#1		4279
Payment term value date	41	PAT SG8#2		4279
Pick-up date	7	DTM	C507	2380
Place of loading - name of a city (town, village) for addressing purposes.	34	NAD SG2#5	C819	3229
Place of the goods consignee - name of a city (town, village) for addressing purposes.	32	NAD SG2#4		3164
Place of the goods consignee - name of a city (town, village) for addressing purposes.	34	NAD SG2#5		3164
Place of the goods consignor - name of a city (town, village) for addressing purposes.	30	NAD SG2#3		3164
Postcode of the goods consignee	32	NAD SG2#4		3251
Postcode of the goods consignor	30	NAD SG2#3		3251
Postcode of the place of loading	34	NAD SG2#5		3251
Price	50	PRI SG26#1\SG29#1	C509	5118
Price basis	50	PRI SG26#1\SG29#1	C509	5284
Rate of exchange	37	CUX SG7#1		5402
Reduction of payment, code	8	FTX	C107	4441
Reduction of payment, free text	8	FTX	C108	4440
Reference date of the order number of the sender	15	DTM SG1#3	C507	2380
Release character	1	UNA		UNA4
Reserved for future use	1	UNA		UNA5
Routing address	2	UNB	S003	0014
Segment terminator	1	UNA		UNA6
Serial Shipping Container Code (SSCC)	54	GIN SG26#1\SG31#1\SG32#1	C208	7402
Serial Shipping Container Code (SSCC)	54	GIN SG26#1\SG31#1\SG32#1	C208	7402
Service type in plain text	47	IMD SG26#1	C273	7008
Specification of the consignment item (service type), e. g. weight	52	MEA SG26#1\SG31#1	C174	6314
Statements on business letters	25	RFF SG2#1\SG3#3	C506	1154
Street and number of the goods consignee	32	NAD SG2#4	C059	3042
Street and number of the goods consignor	30	NAD SG2#3	C059	3042

Business Terms

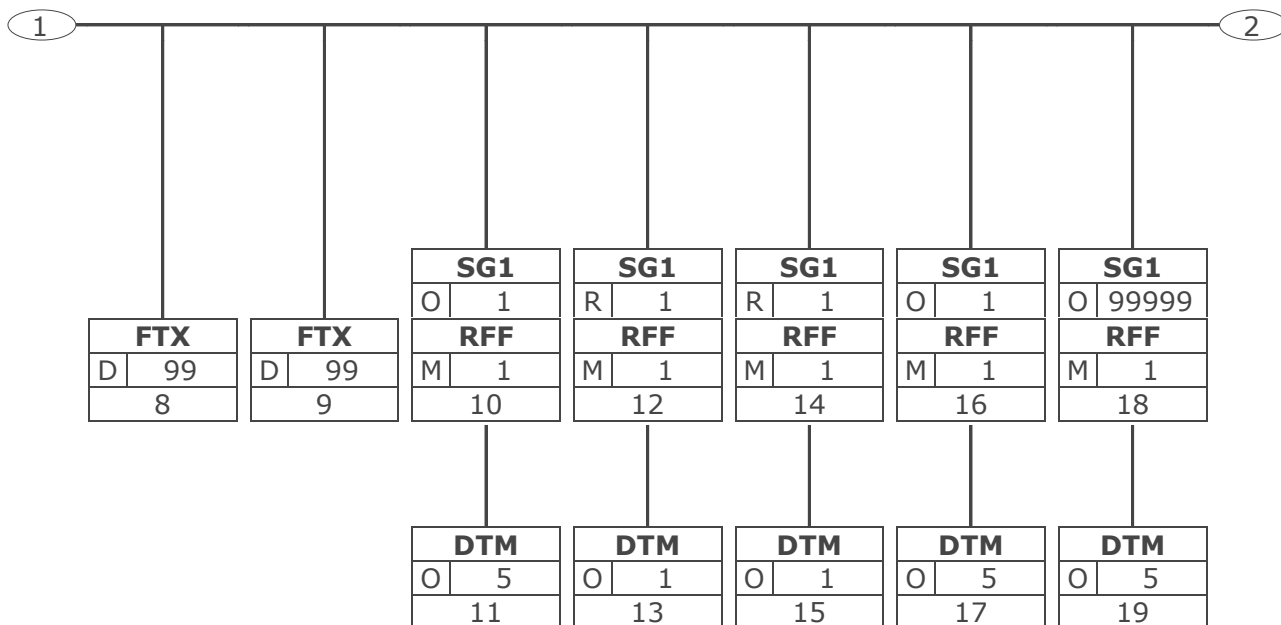
Business Term	EANCOM-Segment		Data Element	
	Seg.-No.	Segment SG	DEG	DE
Street and number of the place of loading	34	NAD SG2#5	C059	3042
Suppliers internal article number	46	PIA SG26#1	C212	7140
Syntax version	2	UNB	S001	0002
Tax amount per VAT rate	63	MOA SG52#1	C516	5004
Tax per invoice amount	62	TAX SG52#1	C241	5153
Test indicator	2	UNB		0035
Total invoice amount	58	MOA SG50#1	C516	5004
Total number of segments	66	UNT		0074
Total weight of shipments	57	CNT	C270	6066
Transport order number	16	RFF SG1#4	C506	1154
Transport order number date	17	DTM SG1#4	C507	2380
Unit of measurement	48	QTY SG26#1	C186	6411
Value added tax on document level	36	TAX SG6#1	C241	5153
Value added tax on line level	55	TAX SG26#1\SG34#1	C241	5153
Value date	42	DTM SG8#2	C507	2380
Wechselkursdatum	38	DTM SG7#1	C507	2380

Branching Diagram



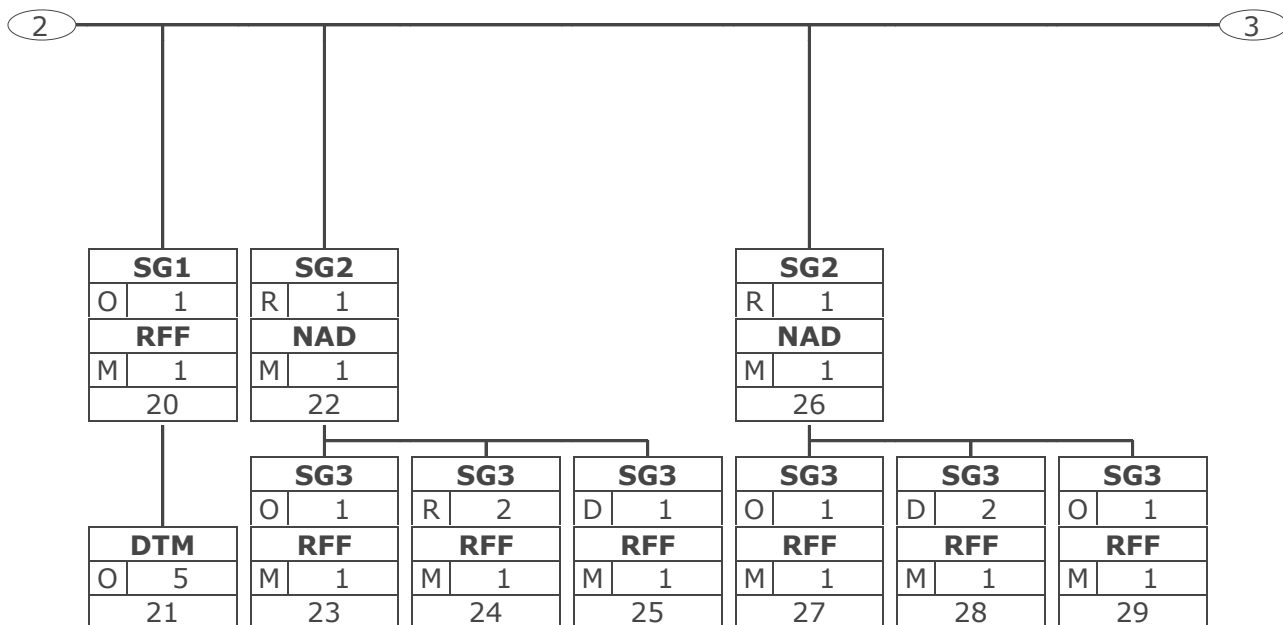
Tag	Tag = Segment/Group Tag	
St	MaxOcc	St = Status (M=Mandatory, C=Conditional, R=Required, O=Optional, A=Advised, D=Dependent)
No	MaxOcc = Maximum occurrence of the segment/group; No = Consecutive segment number	

Branching Diagram



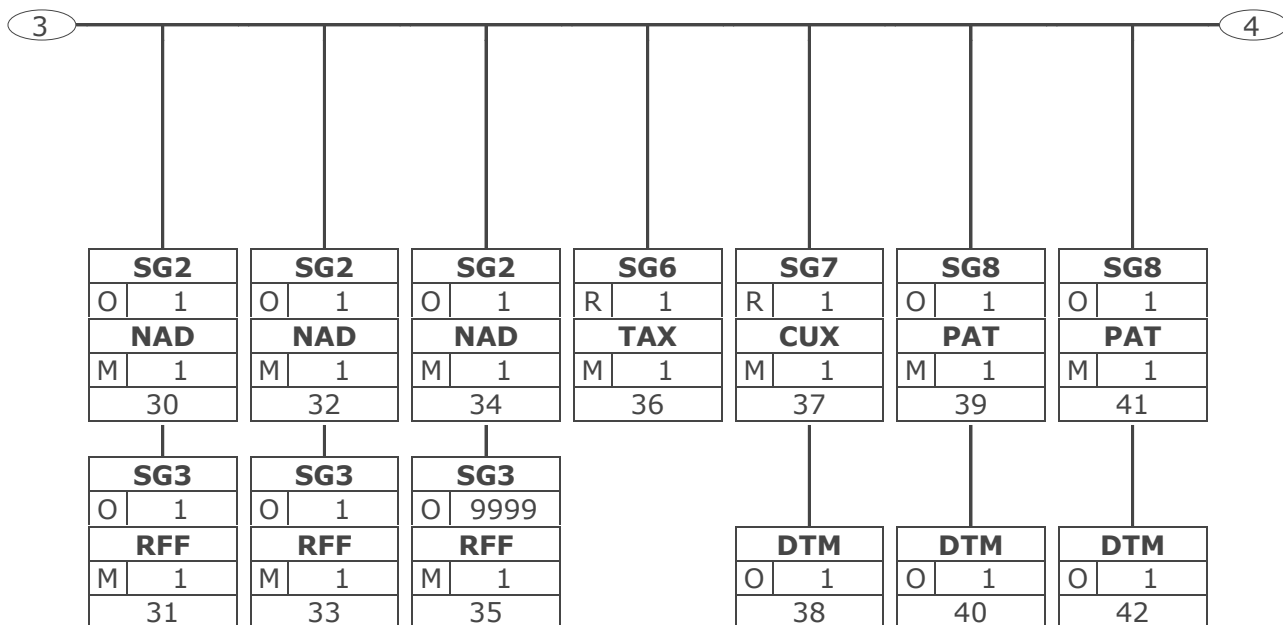
Tag	Tag = Segment/Group Tag
St MaxOcc	St = Status (M=Mandatory, C=Conditional, R=Required, O=Optional, A=Advised, D=Dependent)
No	MaxOcc = Maximum occurrence of the segment/group; No = Consecutive segment number

Branching Diagram



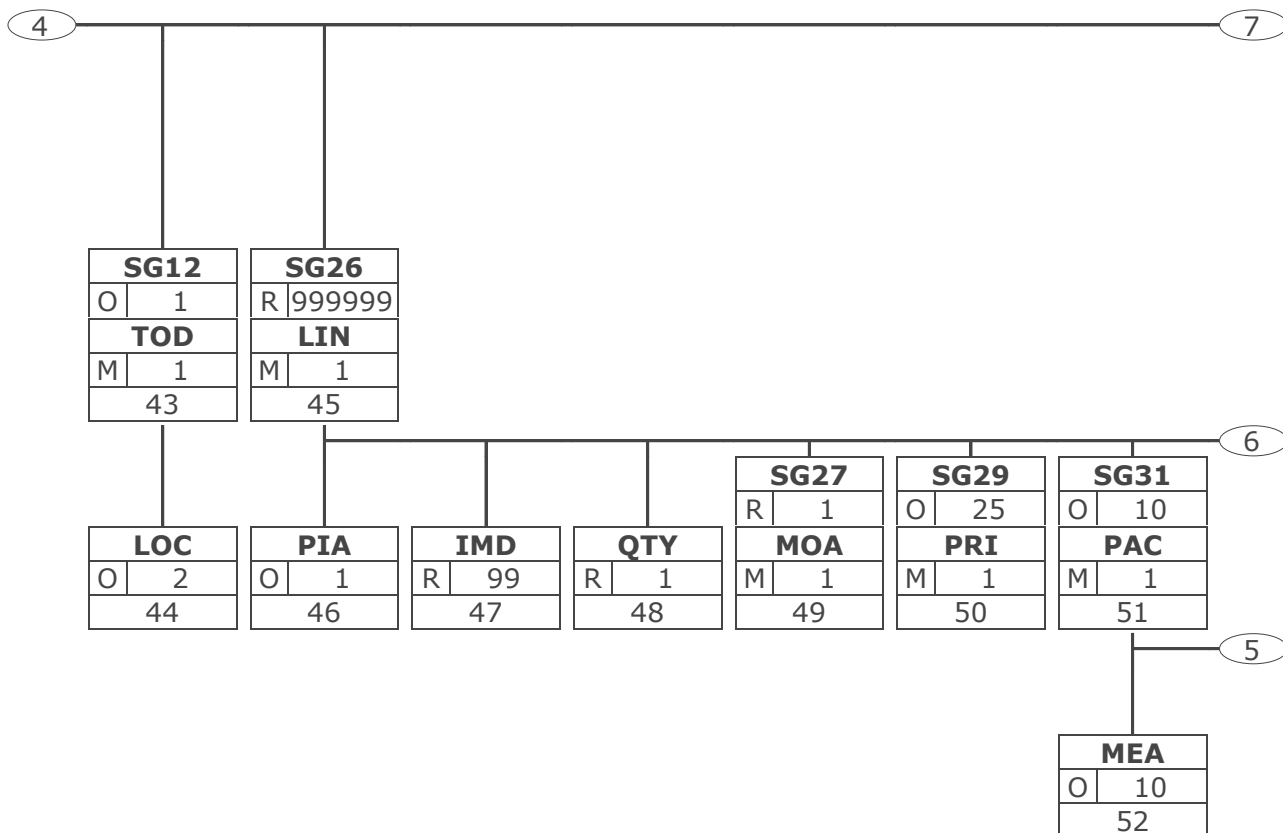
Tag	Tag = Segment/Group Tag
St MaxOcc	St = Status (M=Mandatory, C=Conditional, R=Required, O=Optional, A=Advised, D=Dependent)
No	MaxOcc = Maximum occurrence of the segment/group; No = Consecutive segment number

Branching Diagram



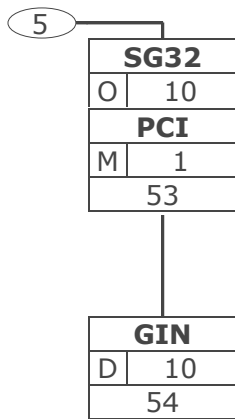
Tag	Tag = Segment/Group Tag
St	MaxOcc St = Status (M=Mandatory, C=Conditional, R=Required, O=Optional, A=Advised, D=Dependent)
No	MaxOcc = Maximum occurrence of the segment/group; No = Consecutive segment number

Branching Diagram



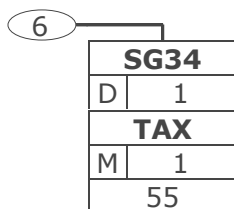
Tag	Tag = Segment/Group Tag
St MaxOcc	St = Status (M=Mandatory, C=Conditional, R=Required, O=Optional, A=Advised, D=Dependent)
No	MaxOcc = Maximum occurrence of the segment/group; No = Consecutive segment number

Branching Diagram



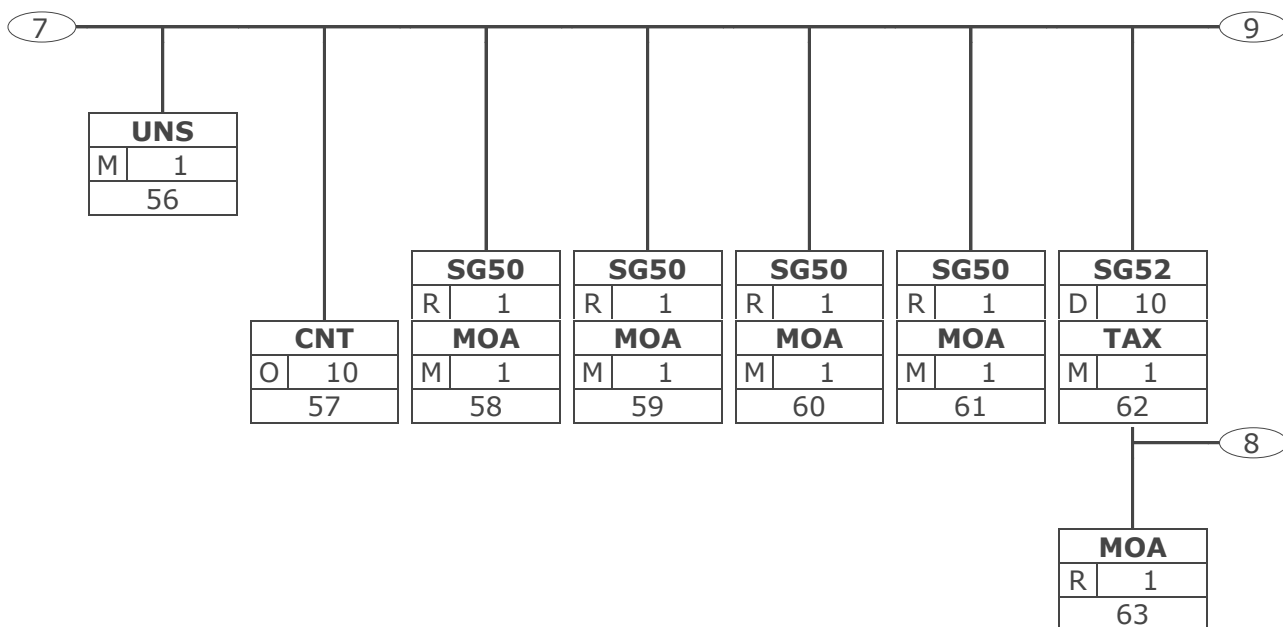
Tag	Tag = Segment/Group Tag
St MaxOcc	St = Status (M=Mandatory, C=Conditional, R=Required, O=Optional, A=Advised, D=Dependent)
No	MaxOcc = Maximum occurrence of the segment/group; No = Consecutive segment number

Branching Diagram



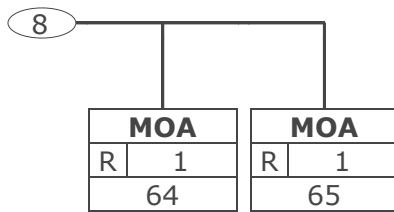
Tag	Tag = Segment/Group Tag	
St	MaxOcc	St = Status (M=Mandatory, C=Conditional, R=Required, O=Optional, A=Advised, D=Dependent)
No	MaxOcc = Maximum occurrence of the segment/group; No = Consecutive segment number	

Branching Diagram



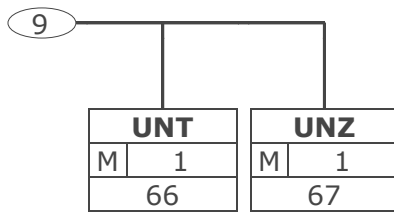
Tag	Tag = Segment/Group Tag
St MaxOcc	St = Status (M=Mandatory, C=Conditional, R=Required, O=Optional, A=Advised, D=Dependent)
No	MaxOcc = Maximum occurrence of the segment/group; No = Consecutive segment number

Branching Diagram



Tag	Tag = Segment/Group Tag
St MaxOcc	St = Status (M=Mandatory, C=Conditional, R=Required, O=Optional, A=Advised, D=Dependent)
No	MaxOcc = Maximum occurrence of the segment/group; No = Consecutive segment number

Branching Diagram



Tag	Tag = Segment/Group Tag	
St	MaxOcc	St = Status (M=Mandatory, C=Conditional, R=Required, O=Optional, A=Advised, D=Dependent)
No	MaxOcc = Maximum occurrence of the segment/group; No = Consecutive segment number	

Message Structure

Seg.	No.	Status	Max Occ	Segment
UNA	1	R	1	Used character set
UNB	2	M	1	Beginning of transmission file
Heading Section				
UNH	3	M	1	Beginn of message
BGM	4	M	1	Document number
DTM	5	R	1	Creation date
DTM	6	D	1	Delivery date
DTM	7	D	1	Pick-up date
FTX	8	D	99	Fee reduction
FTX	9	D	99	EU delivery
SG1		O	1	RFF-DTM
RFF	10	M	1	Invoice register number
DTM	11	O	5	Invoice register date
SG1		R	1	RFF-DTM
RFF	12	M	1	Invoice register number
DTM	13	O	1	Invoice register date
SG1		R	1	RFF-DTM
RFF	14	M	1	Order number of the sender
DTM	15	O	1	Reference date of the order number of the sender
SG1		O	1	RFF-DTM
RFF	16	M	1	Transport order number
DTM	17	O	5	Transport order number date
SG1		O	99999	RFF-DTM
RFF	18	M	1	Delivery note
DTM	19	O	5	Delivery note number date
SG1		O	1	RFF-DTM
RFF	20	M	1	Invoice related references
DTM	21	O	5	Invoice related reference date
SG2		R	1	NAD-SG3-SG3-SG3
NAD	22	M	1	Identification of issuer of invoice
SG3		O	1	RFF
RFF	23	M	1	Additional ID of issuer of invoice
SG3		R	2	RFF
RFF	24	M	1	(VA)Tax registration number of issuer of invoice
SG3		D	1	RFF
RFF	25	M	1	Statements on business letters
SG2		R	1	NAD-SG3-SG3-SG3
NAD	26	M	1	Identification of invoicee
SG3		O	1	RFF
RFF	27	M	1	Invoicees internal identification in suppliers system
SG3		D	2	RFF
RFF	28	M	1	Invoicees (VA)Tax registration number
SG3		O	1	RFF
RFF	29	M	1	Kostenstelle des Rechnungsempfängers
SG2		O	1	NAD-SG3
NAD	30	M	1	Identification of the goods consignor

Max. Occ. = Maximum occurrence of the segment/group, Status: M=Mandatory, C=Conditional, R=Required, O=Optional, A=Advised, D=Dependent

Message Structure

Seg.	No.	Status	Max Occ	Segment
SG3		O	1	RFF
RFF	31	M	1	Additional ID of goods consignor
SG2		O	1	NAD-SG3
NAD	32	M	1	Identification of the goods consignee
SG3		O	1	RFF
RFF	33	M	1	Additional ID of goods consignee
SG2		O	1	NAD-SG3
NAD	34	M	1	Identification of the place of loading
SG3		O	9999	RFF
RFF	35	M	1	Additional ID of the place of loading
SG6		R	1	TAX
TAX	36	M	1	Value added tax on document level
SG7		R	1	CUX-DTM
CUX	37	M	1	Currency
DTM	38	O	1	Exchange rate date
SG8		O	1	PAT-DTM
PAT	39	M	1	Payment term due date
DTM	40	O	1	Due date without deduction
SG8		O	1	PAT-DTM
PAT	41	M	1	Payment term value date
DTM	42	O	1	Value date
SG12		O	1	TOD-LOC
TOD	43	M	1	Delivery terms
LOC	44	O	2	Delivery terms location

Detail Section

SG26		R	99999999	LIN-PIA-IMD-QTY-SG27-SG29-SG31-SG34
LIN	45	M	1	GTIN of the transport invoice (invoiced service) - SINGLE
PIA	46	O	1	Suppliers article number
IMD	47	R	99	Service type in plain text
QTY	48	R	1	Quantity invoiced and unit of measurement
SG27		R	1	MOA
MOA	49	M	1	Net amount of the service type
SG29		O	25	PRI
PRI	50	M	1	Single price per invoiced unit
SG31		O	10	PAC-MEA-SG32
PAC	51	M	1	Number of packages
MEA	52	O	10	Specific details of the consignment item (e. g. weight)
SG32		O	10	PCI-GIN
PCI	53	M	1	Package identification
GIN	54	D	10	Serial Shipping Container Code (SSCC)
SG34		D	1	TAX
TAX	55	M	1	VAT (sub line level)

Summary Section

UNS	56	M	1	Section control
CNT	57	O	10	Total weight control

Max. Occ. = Maximum occurrence of the segment/group, Status: M=Mandatory, C=Conditional, R=Required, O=Optional, A=Advised, D=Dependent

Message Structure

Seg.	No.	Status	Max Occ	Segment
SG50		R	1	MOA
MOA	58	M	1	Total invoice amount
SG50		R	1	MOA
MOA	59	M	1	Invoice total line items amount
SG50		R	1	MOA
MOA	60	M	1	Invoice taxable amount
SG50		R	1	MOA
MOA	61	M	1	Invoice total tax amount
SG52		D	10	TAX-MOA-MOA-MOA
TAX	62	M	1	Tax per invoice amount
MOA	63	R	1	Tax amount per tax rate
MOA	64	R	1	Invoice taxable amount per VAT rate
MOA	65	R	1	Invoice total line items amount per VAT rate
UNT	66	M	1	End of message
UNZ	67	M	1	End of the transmission file

Max. Occ. = Maximum occurrence of the segment/group, Status: M=Mandatory, C=Conditional, R=Required, O=Optional, A=Advised, D=Dependent

Segment Layout

No. Seg	St	Max. Occ.			
1		R 1	UNA Service string advice		
To define the characters selected for use as delimiters and indicators in the rest of the interchange that follows.					
Business Term	DE	EDIFACT	Format	St	* Description
Component data element separator	UNA1	Component data element separator	an1	M	Default value: ":"
Data element separator	UNA2	Data element separator	an1	M	Default value: "+"
Decimal notation	UNA3	Decimal notation	an1	M	Default value: "."
Release character	UNA4	Release indicator	an1	M	Default value: "?"
Reserved for future use	UNA5	Reserved for future use	an1	M	(Default value: space)
Segment terminator	UNA6	Segment terminator	an1	M	Default value: "' '
<p>Segmentstatus: Mandatory</p> <p>The use of the UNA segment is mandatory, if character set "A" (UNB,DE0001) is not used. For international EDI the use of character set UNOA is recommended. For national (German) EDI the use of UNOC is reasonable because it contains lower case letters and umlauts.</p> <p>Example: UNA:+.?' '</p> <p>The UNA segment contains the default service string characters.</p>					

Max. Occ. = Maximum Occurrence, St = Status, * = Restricted Codes
 Status: M=Mandatory, R=Required, O=Optional, D=Dependent, A=Advised, N=Not used

Segment Layout

No. Seg	St	Max. Occ.				
2	UNB	M 1	Interchange header To start, identify and specify an interchange.			
Business Term	DE	EDIFACT	Format	St	*	Description
	S001	Syntax identifier		M		
Character set	0001	Syntax identifier	a4	M		UNOA UN/ECE level A UNOB UN/ECE level B UNOC UN/ECE level C UNOD UN/ECE level D UNOE UN/ECE level E UNOF UN/ECE level F
Syntax version	0002	Syntax version number	n1	M	*	3 Version 3
	S002	Interchange sender		M		
Indentification of the sender of the transmission file	0004	Sender identification	an..35	M		= Global Location Number (GLN)
	0007	Partner identification code qualifier	an..4	R	*	14 GS1
Address for reverse routing	0008	Address for reverse routing	an..14	O		See note
	S003	Interchange recipient		M		
Indentification of the receiver of the transmission file	0010	Recipient identification	an..35	M		= Global Location Number (GLN)
	0007	Partner identification code qualifier	an..4	R	*	14 GS1
Routing address	0014	Routing address	an..14	O		See note
	S004	Date/time of preparation		M		
File creation date	0017	Date of preparation	n6	M		= Dateformat JJMMTT
File creation time	0019	Time of preparation	n4	M		= Timeformat HHMM
Interchange control reference, beginnig	0020	Interchange control reference	an..14	M		= Unique senders reference
	S005	Recipient's reference, password		O		
Password interchange	0022	Recipient's reference/password	an..14	M		
	0025	Recipient's reference/password qualifier	an2	O	*	AA Reference BB Password
Application reference	0026	Application reference	an..14	O		Message type if the transmission fole contains only one message type
	0029	Processing priority code	a1	O	*	A Highest priority
Acknowledgement request	0031	Acknowledgement request	n1	O		
EANCOM	0032	Communications agreement ID	an..35	R		= EANCOM... EDIFACT subset identification (see note)
Test indicator	0035	Test indicator	n1	O	*	1 Interchange is a test

Max. Occ. = Maximum Occurrence, St = Status, * = Restricted Codes
Status: M=Mandatory, R=Required, O=Optional, D=Dependent, A=Advised, N=Not used

Segment Layout

Segmentstatus: Mandatory

For international EDI the use of character set UNOA is recommended. For national (German) EDI the use of UNOC is reasonable because it contains lower case letters and umlauts.

Note DE 0008:

The address for reverse routing is provided by the interchange sender to inform the interchange recipient of the address within the sender's (source) system to which responding interchanges must be sent. It is recommended that the GLN be used for this purpose.

Note DE 0014:

The routing address is used to identify the receiver, if a provider adds service values for the actual receiver (e.g. consolidated companies, corporate group). The use of the identification system (e.g. GLN) has to be agreed bilaterally.

Note DE 0020:

This data element must contain a consistent sequential number per interchange between sender and receiver of the transmission.

Note DE 0032:

This data element is used to identify any underlying agreements which control the exchange of data. Within EANCOM , the identity of such agreements must start with the letters 'EANCOM', the remaining characters within the data element being filled according to bilateral agreements.

Example: UNB+UNOC:3+4012345000009:14:4012345000018+4000004000002:14:4000004000099+161013:1043+4711+REF:AA+++EANCOM+1'

The EANCOM file 4711 dated 13.10.2016, 10 h 43 is sent by the issuer identified with GLN 4012345000009 to the receiver identified with GLN 4000004000002.

Max. Occ. = Maximum Occurrence, St = Status, * = Restricted Codes

Status: M=Mandatory, R=Required, O=Optional, D=Dependent, A=Advised, N=Not used

Segment Layout

No. Seg	St	Max. Occ.				
3	UNH	M 1	Message header To head, identify and specify a message.			
Business Term	DE	EDIFACT	Format	St	*	Description
Message reference number	0062	Message reference number	an..14	M		Senders unique message reference. Sequence number of the messages in the interchange. DE 0062 in the UNT will be identical. Sender generated, e.g. ME000001.
	S009	Message identifier		M		
	0065	Message type	an..6	M	*	INVOIC Invoice message
	0052	Message version number	an..3	M	*	D Draft version/ UN/EDIFACT Directory
	0054	Message release number	an..3	M	*	01B Release 2001 - B
	0051	Controlling agency	an..2	M	*	UN UN/CEFACT
	0057	Association assigned code	an..6	R	*	EAN010 GS1 version control number (GS1 Permanent Code)
<p>Segmentstatus: Mandatory This segment is used to head, identify and specify a message.</p> <p>Example: UNH+ME000001+INVOIC:D:01B:UN:EAN010' The reference number of the INVOIC message is ME000001.</p>						

Max. Occ. = Maximum Occurrence, St = Status, * = Restricted Codes
Status: M=Mandatory, R=Required, O=Optional, D=Dependent, A=Advised, N=Not used

Segment Layout

No. Seg	St	Max. Occ.				
4	BGM	M 1	Beginning of message To indicate the type and function of a message and to transmit the identifying number.			
Business Term	DE	EDIFACT	Format	St	* Description	
	C002	Document/message name		R		
	1001	Document name code	an..3	R	* 380 Commercial invoice 381 Credit note - goods and services	
	1131	Code list identification code	an..17	N		
	3055	Code list responsible agency code	an..3	R	* 9 GS1	
Document qualification	1000	Document name	an..35	R	* This data element indicates the variante of the invoice in coded form: 301 = TRANSPORT INVOICE 302 = WAREHOUSE INVOICE	
	C106	Document/message identification		R		
Document number invoice of transport/warehouse	1004	Document identifier	an..35	R	Document number assigned by sender	
Message function	1225	Message function code	an..3	R	* 9 Original 9 = Original, Initial transmission related to a given transaction.	

Segmentstatus: Mandatory

This segment serves to display the type and function of a message and to transmit the identification number. This is a transport or warehouse invoice, which is exchanged for logistic services.

The use of DE 1000 must be mutually agreed between the data exchanging parties.

The following is a description of transport or warehousing invoices. All details in this regard also apply to credit notes.

Notes to DE 1001:

380 = Commercial invoice

Document/message claiming payment for goods or services supplied under conditions agreed between seller and buyer. The message is sent by issuer of invoice to the invoicee.

381 = Credit note - goods and services

Document/message for providing credit information to the relevant party. The message is sent by issuer of invoice to the invoicee.

Note to DE 1000:

The use of this DE is mandatory. It must contain one items. More detailed contents need to be bilaterally agreed by business partners and GS1 Germany.

A further detailing is to be agreed bilaterally and agreed with GS1 Germany.

Content: 301 = TRANSPORT INVOICE or

Max. Occ. = Maximum Occurrence, St = Status, * = Restricted Codes

Status: M=Mandatory, R=Required, O=Optional, D=Dependent, A=Advised, N=Not used

Segment Layout

Content: 302 = WAREHOUSE INVOICE

Example: BGM+380: :9:301+87441+9'

The document number of the transport invoice is 87441.

Segment Layout

No.	Seg	St	Max.	Occ.			
5	DTM	R	1		Date/time/period To specify date, and/or time, or period.		
Business Term	DE	EDIFACT	Format	St	*	Description	
	C507	Date/time/period		M			
	2005	Date or time or period function code qualifier	an..3	M	*	137 Document/ message date/ time	
Creation date	2380	Date or time or period value	an..35	R			
	2379	Date or time or period format code	an..3	R		102 CCYYMMDD 203 CCYYMMDDHHMM	
<p>Segmentstatus: Mandatory Identification of the 'Document/message date/time' (code value 137) is mandatory in the invoice message.</p> <p>Example: <code>DTM+137:20160823:102'</code> The document date is the 23th of August 2016.</p> <p>Example: <code>DTM+137:201701100800:203'</code> The document date is the 23th of August 2016, 8 o'clock.</p>							

Max. Occ. = Maximum Occurrence, St = Status, * = Restricted Codes
 Status: M=Mandatory, R=Required, O=Optional, D=Dependent, A=Advised, N=Not used

Segment Layout

No.	Seg	St	Max.	Occ.			
6	DTM	D	1		Date/time/period To specify date, and/or time, or period.		
Business Term	DE	EDIFACT	Format	St	*	Description	
	C507	Date/time/period		M			
	2005	Date or time or period function code qualifier	an..3	M	*	35 Delivery date/ time, actual	
Delivery date	2380	Date or time or period value	an..35	R			
	2379	Date or time or period format code	an..3	R		102 CCYMMDD 203 CCYMMDDHHMM 718 CCYMMDD- CCYMMDD Format of period to be given in actual message without hyphen.	
<p>Segmentstatus: Depending, either delivery or pick up date and/or invoicing period must be indicated.</p> <p>In case of credit or debit notes related to financial adjustments the document date is indicated here.</p> <p>DE 2005 = 35, Date/time on which goods or consignment are delivered at their destination.</p> <p>In means of taxes the actual delivery date corresponds to the activity date.</p> <p>Example: DTM+35:20160315:102' Date of delivery was 15th of March 2016.</p>							

Max. Occ. = Maximum Occurrence, St = Status, * = Restricted Codes
 Status: M=Mandatory, R=Required, O=Optional, D=Dependent, A=Advised, N=Not used

Segment Layout

No.	Seg	St	Max. Occ.			
7	DTM	D	1	Date/time/period To specify date, and/or time, or period.		
Business Term	DE	EDIFACT	Format	St	*	Description
	C507	Date/time/period		M		
	2005	Date or time or period function code qualifier	an..3	M	*	200 Pick-up/collection date/time of cargo
Pick-up date	2380	Date or time or period value	an..35	R		
	2379	Date or time or period format code	an..3	R		102 CCYYMMDD 203 CCYYMMDDHHMM 718 CCYYMMDD- CCYYMMDD Format of period to be given in actual message without hyphen.
<p>Segmentstatus: Depending, either delivery or pick up date must be indicated. DTM segment is used specify date, and/or time, or period. This segment is used to specify, where required, requested dates concerning the delivery/pick up of the goods. In means of taxes the actual pick-up date corresponds to the activity date.</p> <p>Example: DTM+200:20160314:102' Date of delivery was 14th of March 2016.</p>						

Max. Occ. = Maximum Occurrence, St = Status, * = Restricted Codes
Status: M=Mandatory, R=Required, O=Optional, D=Dependent, A=Advised, N=Not used

Segment Layout

No. Seg	St	Max. Occ.				
8	FTX	D 99	Free text To provide free form or coded text information.			
Business Term	DE	EDIFACT	Format	St	*	Description
	4451	Text subject code qualifier	an..3	M	*	AAK Price conditions
	4453	Free text function code	an..3	O	*	1 Text for subsequent use
	C107	Text reference		D		
Reduction of payment, code	4441	Free text value code	an..17	M	*	ST1 = Fee reduction applies, due to discount and bonus agreements. ST2 = Fee reduction applies, due to our current business terms. ST3 = Discount or bonus agreements apply.
	1131	Code list identification code	an..17	O		
	3055	Code list responsible agency code	an..3	D	*	246 GS1 Germany
	C108	Text literal		D		
Reduction of payment, free text	4440	Free text value	an..512	M		
	4440	Free text value	an..512	O		
	4440	Free text value	an..512	O		
	4440	Free text value	an..512	O		
	4440	Free text value	an..512	O		
	3453	Language name code	an..3	D		DE German EN English ISO 639 2-Alpha Code

Segmentstatus: Depending on fee reduction

Use of this segment in free form is not recommended since in most cases it inhibits automatic processing of the Invoice. Coded references to standard texts is an available functionality which enables automatic processing and reduces transmission and processing overheads. Standard texts should be mutually defined among trading partners and can be used to cover legal and other requirements.

Note to DE 4451:

Code value "AAK" may only be used to advice fee reduction in future according German § 14, Abs.4 UstG (in conjunction with DE 4441 or C108).

DE 4441 can be used with text codes. They have to be used as master data and need to be defined in the interchange agreement. One FTX segment may either be used with text codes OR free text.

Example:FTX+AAK+1+ST1::246+Es ergeben sich Entgeltminderungen aufgrund: von Rabatt- oder Bo

Max. Occ. = Maximum Occurrence, St = Status, * = Restricted Codes

Status: M=Mandatory, R=Required, O=Optional, D=Dependent, A=Advised, N=Not used

Segment Layout

nusvereinbarungen+DE'

Fee reduction applies, due to discount and bonus agreements.

Segment Layout

No. Seg	St	Max. Occ.				
9	FTX	D 99	Free text To provide free form or coded text information.			
Business Term	DE	EDIFACT	Format	St	*	Description
	4451	Text subject code qualifier	an..3	M	*	REG Regulatory information
	4453	Free text function code	an..3	O	*	1 Text for subsequent use
	C107	Text reference		D		
EU delivery, code	4441	Free text value code	an..17	M	*	IGL = Delivery within the EU community
	1131	Code list identification code	an..17	O		
	3055	Code list responsible agency code	an..3	D	*	246 GS1 Germany
	C108	Text literal		D		
EU delivery, free text	4440	Free text value	an..512	M		
	3453	Language name code	an..3	D		DE German EN English ISO 639 2-Alpha Code

Segmentstatus: Depending on EU delivery

Use of this segment in free form is not recommended since in most cases it inhibits automatic processing of the Invoice. Coded references to standard texts is an available functionality which enables automatic processing and reduces transmission and processing overheads. Standard texts should be mutually defined among trading partners and can be used to cover legal and other requirements.

DE 4441 can be used with text codes. They have to be used as master data and need to be defined in the interchange agreement. One FTX segment may either be used with text codes OR free text.

Example: **FTX+REG+1+IGL::246++DE'**

The invoice relates to a EU delivery.

Max. Occ. = Maximum Occurrence, St = Status, * = Restricted Codes

Status: M=Mandatory, R=Required, O=Optional, D=Dependent, A=Advised, N=Not used

Segment Layout

No.	Seg	St	Max. Occ.				
10	SG1	O	1	RFF-DTM			
	RFF	M	1	Reference			
To specify a reference.							
Business Term		DE	EDIFACT	Format	St	*	Description
		C506	Reference		M		
		1153	Reference code qualifier	an..3	M	*	CT Contract number
Invoice register number		1154	Reference identifier	an..70	R		
Segmentstatus: Optional This segment is used to specify the invoice register. Example: RFF+CT:4712' The invoice is part of invoice register 4712.							

Max. Occ. = Maximum Occurrence, St = Status, * = Restricted Codes
 Status: M=Mandatory, R=Required, O=Optional, D=Dependent, A=Advised, N=Not used

Segment Layout

No.	Seg	St	Max. Occ.			
11	SG1	O	1	RFF-DTM		
	DTM	O	5	Date/time/period		
To specify date, and/or time, or period.						
Business Term	DE	EDIFACT	Format	St	*	Description
	C507	Date/time/period		M		
	2005	Date or time or period function code qualifier	an..3	M	*	171 Reference date/ time
Invoice register date	2380	Date or time or period value	an..35	R		
	2379	Date or time or period format code	an..3	R		102 CCYYMMDD
<p>Segmentstatus: Optional This segment is used to specify any dates related to the references given in the previous RFF segment.</p> <p>Example: DTM+171:20160302:102' Invoice register is dated 2th of March 2016.</p>						

Max. Occ. = Maximum Occurrence, St = Status, * = Restricted Codes
 Status: M=Mandatory, R=Required, O=Optional, D=Dependent, A=Advised, N=Not used

Segment Layout

No.	Seg	St	Max. Occ.			
12	SG1	R	1	RFF-DTM		
	RFF	M	1	Reference		
To specify a reference.						
Business Term	DE	EDIFACT	Format	St	*	Description
	C506	Reference		M		
	1153	Reference code qualifier	an..3	M	*	ABO Originator's reference
Invoice register number	1154	Reference identifier	an..70	R		
<p>Segmentstatus: Mandatory This segment is used to specify the invoice register. This RFF segment specifies the invoice register containing the current invoice.</p> <p>Example: RFF+ABO:8711' The invoice is part of invoice register 8711.</p>						

Max. Occ. = Maximum Occurrence, St = Status, * = Restricted Codes
 Status: M=Mandatory, R=Required, O=Optional, D=Dependent, A=Advised, N=Not used

Segment Layout

No.	Seg	St	Max. Occ.			
13	SG1	R	1	RFF-DTM		
	DTM	O	1	Date/time/period		
To specify date, and/or time, or period.						
Business Term	DE	EDIFACT	Format	St	*	Description
	C507	Date/time/period		M		
	2005	Date or time or period function code qualifier	an..3	M	*	171 Reference date/ time
Invoice register date	2380	Date or time or period value	an..35	R		
	2379	Date or time or period format code	an..3	R		102 CCYYMMDD
<p>Segmentstatus: Optional This segment is used to specify any dates related to the references given in the previous RFF segment.</p> <p>Example: DTM+171:20160301:102' The date of the invoice register is 1th of March 2016.</p>						

Max. Occ. = Maximum Occurrence, St = Status, * = Restricted Codes
 Status: M=Mandatory, R=Required, O=Optional, D=Dependent, A=Advised, N=Not used

Segment Layout

No.	Seg	St	Max. Occ.			
14	SG1	R	1	RFF-DTM		
	RFF	M	1	Reference		
To specify a reference.						
Business Term	DE	EDIFACT	Format	St	*	Description
	C506	Reference		M		
	1153	Reference code qualifier	an..3	M	*	CU Consignor's reference number
Order number of the sender	1154	Reference identifier	an..70	R		
<p>Segmentstatus: Mandatory This segment group is used when a transport order number (e. g. IFTMIN number) of the sender is to be transmitted. This segment identifies a transport and warehouse invoice as a single invoice. The reference number of the consignor refers to the consignment which is settled.</p> <p>Example: RFF+CU:8765' The message references to senders order number 8765.</p>						

Max. Occ. = Maximum Occurrence, St = Status, * = Restricted Codes
 Status: M=Mandatory, R=Required, O=Optional, D=Dependent, A=Advised, N=Not used

Segment Layout

No.	Seg	St	Max. Occ.			
15	SG1	R	1	RFF-DTM		
	DTM	O	1	Date/time/period		
To specify date, and/or time, or period.						
Business Term	DE	EDIFACT	Format	St	*	Description
	C507	Date/time/period		M		
	2005	Date or time or period function code qualifier	an..3	M	*	171 Reference date/ time
Reference date of the order number of the sender	2380	Date or time or period value	an..35	R		
	2379	Date or time or period format code	an..3	R		102 CCYYMMDD
<p>Segmentstatus: Optional This segment is used to specify any dates related to the references given in the previous RFF segment.</p> <p>Example: DTM+171:20160301:102' The date of the senders order number is 1th of March 2016.</p>						

Max. Occ. = Maximum Occurrence, St = Status, * = Restricted Codes
 Status: M=Mandatory, R=Required, O=Optional, D=Dependent, A=Advised, N=Not used

Segment Layout

No.	Seg	St	Max. Occ.			
16	SG1	O	1	RFF-DTM		
	RFF	M	1	Reference		
To specify a reference.						
Business Term	DE	EDIFACT	Format	St	*	Description
	C506	Reference		M		
	1153	Reference code qualifier	an..3	M	*	FF Freight forwarder's reference number
Transport order number	1154	Reference identifier	an..70	R		
Segmentstatus: Optional Reference number assigned by the forwarder of the consignment (transport order number). The reference number of the freight forwarder refers to the consignment which is settled. Example: RFF+FF:4713' The message references to the reference number 4713 of the forwarder.						

Max. Occ. = Maximum Occurrence, St = Status, * = Restricted Codes
 Status: M=Mandatory, R=Required, O=Optional, D=Dependent, A=Advised, N=Not used

Segment Layout

No. Seg	St	Max. Occ.				
17	SG1	O 1	RFF-DTM			
	DTM	O 5	Date/time/period			
To specify date, and/or time, or period.						
Business Term	DE	EDIFACT	Format	St	*	Description
	C507	Date/time/period		M		
	2005	Date or time or period function code qualifier	an..3	M	*	171 Reference date/ time
Transport order number date	2380	Date or time or period value	an..35	R		
	2379	Date or time or period format code	an..3	R		102 CCYYMMDD
<p>Segmentstatus: Optional This segment is used to specify any dates related to the references given in the previous RFF segment.</p> <p>Example: DTM+171:20160302:102' The transport order number is dated 2th of March 2016.</p>						

Max. Occ. = Maximum Occurrence, St = Status, * = Restricted Codes
 Status: M=Mandatory, R=Required, O=Optional, D=Dependent, A=Advised, N=Not used

Segment Layout

No.	Seg	St	Max.	Occ.		
18	SG1	O	99999		RFF-DTM	
	RFF	M	1		Reference	
To specify a reference.						
Business Term	DE	EDIFACT	Format	St	*	Description
	C506	Reference		M		
	1153	Reference code qualifier	an..3	M	*	DQ Delivery note number
Delivery note (s)	1154	Reference identifier	an..70	R		
<p>Segmentstatus: Optional This segment group is only used if a delivery note number is to be transmitted. By repeating the SG1 (RFF-DTM), several delivery note numbers can also be transmitted. Example: RFF+DQ:3546' The message references to delivery note number 3546.</p>						

Max. Occ. = Maximum Occurrence, St = Status, * = Restricted Codes
 Status: M=Mandatory, R=Required, O=Optional, D=Dependent, A=Advised, N=Not used

Segment Layout

No.	Seg	St	Max.	Occ.			
19	SG1	O	99999		RFF-DTM		
	DTM	O	5		Date/time/period To specify date, and/or time, or period.		
Business Term		DE	EDIFACT	Format	St	*	Description
		C507	Date/time/period		M		
		2005	Date or time or period function code qualifier	an..3	M	*	171 Reference date/ time
Delivery note number date		2380	Date or time or period value	an..35	R		
		2379	Date or time or period format code	an..3	R		102 CCYYMMDD
<p>Segmentstatus: Optional This segment is used to specify any dates related to the references given in the previous RFF segment.</p> <p>Example: DTM+171:20160302:102' The delivery note number is dated 2th of March 2016.</p>							

Max. Occ. = Maximum Occurrence, St = Status, * = Restricted Codes
 Status: M=Mandatory, R=Required, O=Optional, D=Dependent, A=Advised, N=Not used

Segment Layout

No.	Seg	St	Max.	Occ.		
20	SG1	O	1		RFF-DTM	
	RFF	M	1		Reference	
To specify a reference.						
Business Term	DE	EDIFACT	Format	St	*	Description
	C506	Reference		M		
	1153	Reference code qualifier	an..3	M	*	IV Invoice number
Invoice related reference	1154	Reference identifier	an..70	R		
Segmentstatus: Optional This segment must be used within credit notes to specify the invoice. Example: RFF+IV:8711' The credit note specifies reference no. 8711.						

Max. Occ. = Maximum Occurrence, St = Status, * = Restricted Codes
 Status: M=Mandatory, R=Required, O=Optional, D=Dependent, A=Advised, N=Not used

Segment Layout

No.	Seg	St	Max. Occ.			
21	SG1	O	1	RFF-DTM		
	DTM	O	5	Date/time/period		
To specify date, and/or time, or period.						
Business Term	DE	EDIFACT	Format	St	*	Description
	C507	Date/time/period		M		
	2005	Date or time or period function code qualifier	an..3	M	*	171 Reference date/ time
Invoice related referce date	2380	Date or time or period value	an..35	R		
	2379	Date or time or period format code	an..3	R		102 CCYYMMDD
<p>Segmentstatus: Optional This segment is used to specify any dates related to the references given in the previous RFF segment.</p> <p>Example: DTM+171:20160302:102' The invoice related reference is dated 2th of March 2016.</p>						

Max. Occ. = Maximum Occurrence, St = Status, * = Restricted Codes
 Status: M=Mandatory, R=Required, O=Optional, D=Dependent, A=Advised, N=Not used

Segment Layout

No.	Seg	St	Max. Occ.			
22	SG2	R	1	NAD-SG3		
	NAD	M	1	Name and address		
To specify the name/address and their related function, either by C082 only and/or unstructured by C058 or structured by C080 thru 3207.						
Business Term	DE	EDIFACT	Format	St	*	Description
	3035	Party function code qualifier	an..3	M	*	II Issuer of invoice
	C082	Party identification details		A		
Identification of issuer of invoice	3039	Party identifier	an..35	M		Global Location Number (GLN)- Format n13
	1131	Code list identification code	an..17	N		
	3055	Code list responsible agency code	an..3	R	*	9 GS1
	C058	Name and address		O		This composite may only be used to fulfill the requirements of directive 2003/58/EG, article 4. If applicable the message sender gets the possibility to give the relevant statements at this place. If C058 ist not sufficient, more declaration can be given in following RFF+GN... segments.
	3124	Name and address description	an..35	M		
	3124	Name and address description	an..35	O		
	3124	Name and address description	an..35	O		
	3124	Name and address description	an..35	O		
	3124	Name and address description	an..35	O		
<p>Segmentstatus: Mandatory The Rechnungssteller is identified by GLN.</p> <p>Example: NAD+II+4071615111110::9+X:X:X:X:X' The issuer of invoice is identified by GLN 4071615111110.</p>						

Max. Occ. = Maximum Occurrence, St = Status, * = Restricted Codes
 Status: M=Mandatory, R=Required, O=Optional, D=Dependent, A=Advised, N=Not used

Segment Layout

No.	Seg	St	Max. Occ.				
23	SG2	R	1	NAD-SG3			
	SG3	O	1	RFF			
	RFF	M	1	Reference			
To specify a reference.							
Business Term		DE	EDIFACT	Format	St	*	Description
		C506	Reference		M		
		1153	Reference code qualifier	an..3	M	*	YC1 Additional party identification (GS1 Temporary Code)
Additional ID of issuer of invoice		1154	Reference identifier	an..70	R		
<p>Segmentstatus: Optional</p> <p>The RFF segment following the NAD segment can specify an agreed additional identification. If no functional or organisational differences are necessary within one company only the GLN is used for communication purposes, if applicable the receiver links within the inhouse system. Additional identifications should be agreed only in those cases when different functional entities need to be distinguished at one location.</p> <p>Example: RFF+YC1:0815'</p> <p>The additional identification is 0815.</p>							

Max. Occ. = Maximum Occurrence, St = Status, * = Restricted Codes
 Status: M=Mandatory, R=Required, O=Optional, D=Dependent, A=Advised, N=Not used

Segment Layout

No.	Seg	St	Max. Occ.				
24	SG2	R	1	NAD-SG3			
	SG3	R	2	RFF			
	RFF	M	1	Reference To specify a reference.			
Business Term		DE	EDIFACT	Format	St	*	Description
		C506	Reference		M		
		1153	Reference code qualifier	an..3	M	*	VA VAT registration number FC Fiscal number
(VA)Tax registration number of issuer of invoice		1154	Reference identifier	an..70	R		
<p>Segmentstatus: Mandatory The RFF segment following the NAD segment must specify the tax number. In Germany the issuing company has to specify the tax number issued by the tax office or the value-added tax identification number (USt-IdNr.) Issued by the Federal Office of Finance pursuant to §§ 14, Abs.4, 14a UStG for an invoice. In addition, the VAT Idno. of the recipient if the recipient is a taxpayer (§§ 3a Abs.2, 3b UStG). In the case of the credit note, the tax number or the VAT ID no. of the issuing company and not that of the entrepreneur providing the credit. The obligation to specify the tax number or the VAT ID no. also applies to small businesses.</p> <p>Example: RFF+VA:DE090909' The VAT registration number is DE090909.</p>							

Max. Occ. = Maximum Occurrence, St = Status, * = Restricted Codes
 Status: M=Mandatory, R=Required, O=Optional, D=Dependent, A=Advised, N=Not used

Segment Layout

No.	Seg	St	Max. Occ.				
25	SG2	R	1	NAD-SG3			
	SG3	D	1	RFF			
	RFF	M	1	Reference			
To specify a reference.							
Business Term		DE	EDIFACT	Format	St	*	Description
		C506	Reference		M		
		1153	Reference code qualifier	an..3	M	*	GN Government reference number
Statements on business letters		1154	Reference identifier	an..70	R		
<p>Segmentstatus: Depending This RFF segment may only be used if the preceding NAD has not enough space to fulfill the requirements of directive 2003/58/EG, article 4.</p> <p>Example: RFF+GN:HRB-471111' German statements on business letters: HRB-471111</p>							

Max. Occ. = Maximum Occurrence, St = Status, * = Restricted Codes
 Status: M=Mandatory, R=Required, O=Optional, D=Dependent, A=Advised, N=Not used

Segment Layout

No.	Seg	St	Max. Occ.			
26	SG2	R	1	NAD-SG3		
	NAD	M	1	Name and address		
To specify the name/address and their related function, either by C082 only and/or unstructured by C058 or structured by C080 thru 3207.						
Business Term	DE	EDIFACT	Format	St	*	Description
	3035	Party function code qualifier	an..3	M	*	BY Buyer
	C082	Party identification details		A		
Identification of invoicee	3039	Party identifier	an..35	M		Global Location Number (GLN) - Format n13
	1131	Code list identification code	an..17	N		
	3055	Code list responsible agency code	an..3	R	*	9 GS1
	C058	Name and address		O		This composite may only be used to fulfill the requirements of directive 2003/58/EG, article 4. If applicable the message sender gets the possibility to give the relevant statements at this place. If C058 ist not sufficient, more declaration can be given in following RFF+GN... segments.
	3124	Name and address description	an..35	M		
	3124	Name and address description	an..35	O		
	3124	Name and address description	an..35	O		
	3124	Name and address description	an..35	O		
	3124	Name and address description	an..35	O		
Segmentstatus: Mandatory The invoicee is identified by GLN. Example: NAD+BY+4012345000009::9+X:X:X:X:X' The invoicee is identified by Global Location Number (GLN) 4012345000009.						

Max. Occ. = Maximum Occurrence, St = Status, * = Restricted Codes
 Status: M=Mandatory, R=Required, O=Optional, D=Dependent, A=Advised, N=Not used

Segment Layout

No. Seg	St	Max. Occ.				
27	SG2	R 1	NAD-SG3			
	SG3	O 1	RFF			
	RFF	M 1	Reference To specify a reference.			
Business Term	DE	EDIFACT	Format	St	*	Description
	C506	Reference		M		
	1153	Reference code qualifier	an..3	M	*	YC1 Additional party identification (GS1 Temporary Code)
Invoictees internal identification in suppliers system	1154	Reference identifier	an..70	R		
<p>Segmentstatus: Optional</p> <p>The RFF segment following the NAD segment can specify the identification from suppliers system. If no functional or organisational differences are necessary within one company only the GLN is used for communication purposes, if applicable the receiver links within the inhouse system. Additional identifications should be agreed only in those cases when different functional entities need to be distinguished at one location.</p> <p>Example: RFF+YC1:0816' The internal identification is 0815.</p>						

Max. Occ. = Maximum Occurrence, St = Status, * = Restricted Codes
 Status: M=Mandatory, R=Required, O=Optional, D=Dependent, A=Advised, N=Not used

Segment Layout

No.	Seg	St	Max.	Occ.			
28	SG2	R	1		NAD-SG3		
	SG3	D	2		RFF		
	RFF	M	1		Reference		
To specify a reference.							
Business Term		DE	EDIFACT	Format	St	*	Description
		C506	Reference		M		
		1153	Reference code qualifier	an..3	M	*	VA VAT registration number FC Fiscal number
Invoicees (VA)Tax registration number		1154	Reference identifier	an..70	R		
<p>Segmentstatus: Depending The RFF segment following the NAD segment can specify the tax number. The VAT-ID no. of the invoicee must be indicated if the recipient is a taxpayer (§§ 3a para.2, 3b UStG).</p> <p>Example: RFF+VA:DE090909' The VAT registration number is DE090909.</p>							

Max. Occ. = Maximum Occurrence, St = Status, * = Restricted Codes
 Status: M=Mandatory, R=Required, O=Optional, D=Dependent, A=Advised, N=Not used

Segment Layout

No.	Seg	St	Max.	Occ.			
29	SG2	R	1		NAD-SG3		
	SG3	O	1		RFF		
	RFF	M	1		Reference		
To specify a reference.							
Business Term		DE	EDIFACT	Format	St	*	Description
		C506	Reference		M		
		1153	Reference code qualifier	an..3	M	*	ADE Account number
Invocees account number		1154	Reference identifier	an..70	R		
Segmentstatus: Optional The RFF segment following the NAD segment can specify an account number. Example: RFF+ADE:KS0815' The account number identification is KS0815.							

Max. Occ. = Maximum Occurrence, St = Status, * = Restricted Codes
 Status: M=Mandatory, R=Required, O=Optional, D=Dependent, A=Advised, N=Not used

Segment Layout

No. Seg	St	Max. Occ.				
30	SG2	O 1	NAD-SG3			
	NAD	M 1	Name and address			
To specify the name/address and their related function, either by C082 only and/or unstructured by C058 or structured by C080 thru 3207.						
Business Term	DE	EDIFACT	Format	St	*	Description
	3035	Party function code qualifier	an..3	M	*	DEQ Shipper
	C082	Party identification details		A		
Identification of the goods consignor	3039	Party identifier	an..35	M		Global Location Number (GLN) - Format n13
	1131	Code list identification code	an..17	N		
	3055	Code list responsible agency code	an..3	R	*	9 GS1
	C058	Name and address		N		
	3124	Name and address description	an..35			
	C080	Party name		D		
Name 1 of the goods consignor	3036	Party name	an..35	M		
Name 2 of the goods consignor	3036	Party name	an..35	O		
Name 3 of the goods consignor	3036	Party name	an..35	O		
	C059	Street		D		
Street and number of the goods consignor	3042	Street and number or post office box identifier	an..35	M		
Place of the goods consignor - name of a city (town, village) for addressing purposes.	3164	City name	an..35	D		
	C819	Country sub-entity details		D		
	3229	Country sub-entity name code	an..9	O		Identification of the name of sub-entities (state, province) defined by appropriate governmental agencies
Postcode of the goods consignor	3251	Postal identification code	an..17	D		
Country of the goods consignor, coded	3207	Country name code	an..3	D		DE GERMANY ISO 3166 two alpha code
<p>Segmentstatus: Optional This NAD segment always identifies the goods consignor. The goods consignor is identified by its GLN. DE 3039: Party name and adress in clear text may only be used, if a GLN is not (yet) available.</p>						

Max. Occ. = Maximum Occurrence, St = Status, * = Restricted Codes
 Status: M=Mandatory, R=Required, O=Optional, D=Dependent, A=Advised, N=Not used

Segment Layout

Example: NAD+DEQ+++Tante:Anna:Laden+Bahnstr. 4+Weinheim++69469+DE'

The goods consignor is Tante Anna Laden, Bahnstr. 4 in DE-69469 Weinheim.

Example: NAD+DEQ+4089876599999: :9'

The goods consignor has the GLN 4089876599999.

Max. Occ. = Maximum Occurrence, St = Status, * = Restricted Codes

Status: M=Mandatory, R=Required, O=Optional, D=Dependent, A=Advised, N=Not used

Segment Layout

No. Seg	St	Max. Occ.				
31	SG2	O 1	NAD-SG3			
	SG3	O 1	RFF			
	RFF	M 1	Reference To specify a reference.			
Business Term	DE	EDIFACT	Format	St	*	Description
	C506	Reference		M		
	1153	Reference code qualifier	an..3	M	*	YC1 Additional party identification (GS1 Temporary Code)
Additional ID of goods consignor	1154	Reference identifier	an..70	R		
<p>Segmentstatus: Optional The RFF segment following the NAD segment can specify an agreed additional identification. If no functional or organisational differences are necessary within one company only the GLN is used for communication purposes, if applicable the receiver links within the inhouse system. Additional identifications should be agreed only in those cases when different functional entities need to be distinguished at one location.</p> <p>Example: RFF+YC1:0826' The additional identification of the goods consignor is 0826.</p>						

Max. Occ. = Maximum Occurrence, St = Status, * = Restricted Codes
 Status: M=Mandatory, R=Required, O=Optional, D=Dependent, A=Advised, N=Not used

Segment Layout

No. Seg	St	Max. Occ.				
32	SG2	O 1	NAD-SG3			
	NAD	M 1	Name and address			
To specify the name/address and their related function, either by C082 only and/or unstructured by C058 or structured by C080 thru 3207.						
Business Term	DE	EDIFACT	Format	St	*	Description
	3035	Party function code qualifier	an..3	M	*	DP Delivery party
	C082	Party identification details		A		
Identification of the goods consignee	3039	Party identifier	an..35	M		Global Location Number (GLN) - Format n13
	1131	Code list identification code	an..17	N		
	3055	Code list responsible agency code	an..3	R	*	9 GS1
	C058	Name and address		N		
	3124	Name and address description	an..35			
	C080	Party name		D		
Name 1 of the goods consignee	3036	Party name	an..35	M		
Name 2 of the goods consignee	3036	Party name	an..35	O		
Name 3 of the goods consignee	3036	Party name	an..35	O		
	C059	Street		D		
Street and number of the goods consignee	3042	Street and number or post office box identifier	an..35	M		
Place of the goods consignee - name of a city (town, village) for addressing purposes.	3164	City name	an..35	D		
	C819	Country sub-entity details		D		
	3229	Country sub-entity name code	an..9	O		Identification of the name of sub-entities (state, province) defined by appropriate governmental agencies
Postcode of the goods consignee	3251	Postal identification code	an..17	D		
Country of the goods consignee, coded	3207	Country name code	an..3	D		DE GERMANY ISO 3166 two alpha code
Segmentstatus: Optional This NAD segment always identifies the goods consignee. The goods consignee is identified by its GLN. DE 3039: Party name and address in clear text may only be used, if a GLN is not (yet) available.						

Max. Occ. = Maximum Occurrence, St = Status, * = Restricted Codes
 Status: M=Mandatory, R=Required, O=Optional, D=Dependent, A=Advised, N=Not used

Segment Layout

Example: NAD+DP+++Tante:Anna:Laden+Maarweg 104+Köln++50825+DE'

The goods consignee is Tante Anna Laden, Maarweg 104 in DE-50825 Köln.

Example: NAD+DP+4089876511111:::9'

The goods consignee has the GLN 4089876511111.

Max. Occ. = Maximum Occurrence, St = Status, * = Restricted Codes

Status: M=Mandatory, R=Required, O=Optional, D=Dependent, A=Advised, N=Not used

Segment Layout

No. Seg	St	Max. Occ.				
33	SG2	O 1	NAD-SG3			
	SG3	O 1	RFF			
	RFF	M 1	Reference To specify a reference.			
Business Term	DE	EDIFACT	Format	St	*	Description
	C506	Reference		M		
	1153	Reference code qualifier	an..3	M	*	YC1 Additional party identification (GS1 Temporary Code)
Additional ID of goods consignee	1154	Reference identifier	an..70	R		
<p>Segmentstatus: Optional The RFF segment following the NAD segment can specify an agreed additional identification. If no functional or organisational differences are necessary within one company only the GLN is used for communication purposes, if applicable the receiver links within the inhouse system. Additional identifications should be agreed only in those cases when different functional entities need to be distinguished at one location.</p> <p>Example: RFF+YC1:0836 ' The additional identification of the goods consognee is 0836.</p>						

Max. Occ. = Maximum Occurrence, St = Status, * = Restricted Codes
 Status: M=Mandatory, R=Required, O=Optional, D=Dependent, A=Advised, N=Not used

Segment Layout

No. Seg	St	Max. Occ.				
34	SG2	O 1	NAD-SG3			
	NAD	M 1	Name and address To specify the name/address and their related function, either by C082 only and/or unstructured by C058 or structured by C080 thru 3207.			
Business Term	DE	EDIFACT	Format	St	*	Description
	3035	Party function code qualifier	an..3	M	*	PW Despatch party
	C082	Party identification details		A		
Identification of the place of loading	3039	Party identifier	an..35	M		Global Location Number (GLN) - Format n13
	1131	Code list identification code	an..17	N		
	3055	Code list responsible agency code	an..3	R	*	9 GS1
	C058	Name and address		N		
	3124	Name and address description	an..35			
	C080	Party name		D		
Name 1 of the place of loading	3036	Party name	an..35	M		
Name 2 of the place of loading	3036	Party name	an..35	O		
Name 3 of the place of loading	3036	Party name	an..35	O		
	C059	Street		D		
Street and number of the place of loading	3042	Street and number or post office box identifier	an..35	M		
Place of the goods consignee - name of a city (town, village) for addressing purposes.	3164	City name	an..35	D		
	C819	Country sub-entity details		D		
Place of loading - name of a city (town, village) for addressing purposes.	3229	Country sub-entity name code	an..9	O		
Postcode of the place of loading	3251	Postal identification code	an..17	D		
Country of the place of loading, coded	3207	Country name code	an..3	D		DE GERMANY ISO 3166 two alpha code
<p>Segmentstatus: Optional This NAD segment always identifies the place of loading. The place of loading is identified by a GLN. DE 3039: Party name and address in clear text may only be used, if a GLN is not (yet) available. Example: NAD+PW+++Tante Otto Laden+Mohnweg 14+Weinheim++69469+DE'</p>						

Max. Occ. = Maximum Occurrence, St = Status, * = Restricted Codes
 Status: M=Mandatory, R=Required, O=Optional, D=Dependent, A=Advised, N=Not used

Segment Layout

The place of loading is Tante Otto Laden, Mohnweg 14 in DE-69469 Weinheim.
Example: NAD+PW+4089876511333::9'
The place of loading has the GLN 4089876511333.

Segment Layout

No. Seg	St	Max. Occ.				
35	SG2	O 1	NAD-SG3			
	SG3	O 9999	RFF			
	RFF	M 1	Reference To specify a reference.			
Business Term	DE	EDIFACT	Format	St	*	Description
	C506	Reference		M		
	1153	Reference code qualifier	an..3	M	*	YC1 Additional party identification (GS1 Temporary Code)
Additional ID of the place of loading	1154	Reference identifier	an..70	R		
<p>Segmentstatus: Optional This segment is used to specify references to the place of loading named in the NAD segment. If no functional or organisational differences are necessary within one company only the GLN is used for communication purposes, if applicable the receiver links within the inhouse system. Additional identifications should be agreed only in those cases when different functional entities need to be distinguished at one location.</p> <p>Example: RFF+YC1:14587' The additional identification of the place of loading address is 14587.</p>						

Max. Occ. = Maximum Occurrence, St = Status, * = Restricted Codes
 Status: M=Mandatory, R=Required, O=Optional, D=Dependent, A=Advised, N=Not used

Segment Layout

No. Seg	St	Max. Occ.				
36		R 1	SG6 TAX			
		M 1	TAX Duty/tax/fee details To specify relevant duty/tax/fee information.			
Business Term	DE	EDIFACT	Format	St	*	Description
	5283	Duty or tax or fee function code qualifier	an..3	M	*	7 Tax
	C241	Duty/tax/fee type		D		
Value added tax on document level	5153	Duty or tax or fee type name code	an..3	O	*	VAT Value added tax
	1131	Code list identification code	an..17	O		
	3055	Code list responsible agency code	an..3	D		
	5152	Duty or tax or fee type name	an..35	O		
	C533	Duty/tax/fee account detail		O		
	5289	Duty or tax or fee account code	an..6	N		
	1131	Code list identification code	an..17	O		
	3055	Code list responsible agency code	an..3	D		
	5286	Duty or tax or fee assessment basis value	an..15	O		
	C243	Duty/tax/fee detail		A		
	5279	Duty or tax or fee rate code	an..7	O		
	1131	Code list identification code	an..17	O		
	3055	Code list responsible agency code	an..3	D		
	5278	Duty or tax or fee rate	an..17	R		Actual tax rate Indication of the VAT rate that is used to calculate the VAT amount (if applicable = Zero, e.g. Reverse Charge)
	5273	Duty or tax or fee rate basis code	an..12	O		
	1131	Code list identification code	an..17	O		
	3055	Code list responsible agency code	an..3	D		
	5305	Duty or tax or fee category code	an..3	D		AE VAT Reverse Charge In case of reverse charge the VAT-registration-no./tax-no. has to be indicated following NAD+BY. E Exempt from tax S Standard rate O Services outside

Max. Occ. = Maximum Occurrence, St = Status, * = Restricted Codes
 Status: M=Mandatory, R=Required, O=Optional, D=Dependent, A=Advised, N=Not used

Segment Layout

Business Term	DE	EDIFACT	Format	St	*	Description
						scope of tax (non taxable sales)
<p>Segmentstatus: Mandatory The main tax rate is indicated here in the heading section of the message. Should the occasion arise different tax rates are indicated on detail level. Note to DE 5278 and 5305: if the business volume is free of tax, DE 5278 must contain 0 (zero). Example: TAX+7+VAT+++:::19+S' The dominant tax rate of the document is 19%.</p>						

Max. Occ. = Maximum Occurrence, St = Status, * = Restricted Codes
 Status: M=Mandatory, R=Required, O=Optional, D=Dependent, A=Advised, N=Not used

Segment Layout

No.	Seg	St	Max. Occ.			
37	SG7	R	1	CUX-DTM		
	CUX	M	1	Currencies		
To specify currencies used in the transaction and relevant details for the rate of exchange.						
Business Term	DE	EDIFACT	Format	St	*	Description
	C504	Currency details		R		
	6347	Currency usage code qualifier	an..3	M	*	2 Reference currency
Currency	6345	Currency identification code	an..3	R		ISO 4217 three alpha EUR Euro
	6343	Currency type code qualifier	an..3	R	*	4 Invoicing currency
	C504	Currency details		D		
	6347	Currency usage code qualifier	an..3	M	*	3 Target currency
	6345	Currency identification code	an..3	R		ISO 4217 three alpha
	6343	Currency type code qualifier	an..3	R	*	11 Payment currency
	6348	Currency rate value	n..4	O		
Rate of exchange	5402	Currency exchange rate	n..12	D		
<p>Segmentstatus: Mandatory Indication of currency is mandatory. Indication of reference and target currency as well as conversion rate (optional), e. g. for international business relations. When specifying Reference and Target Currencies for international trade, one occurrence of CUX is all that is required. The reference currency is identified in the first occurrence of composite C504, with the target currency specified in the second occurrence of C504. The rate of exchange between the two is detailed in DE 5402.</p> <p>Example: CUX+2:EUR:4+3:USD:11+0.90243' The document has been invoiced in EURO.</p>						

Max. Occ. = Maximum Occurrence, St = Status, * = Restricted Codes
 Status: M=Mandatory, R=Required, O=Optional, D=Dependent, A=Advised, N=Not used

Segment Layout

No.	Seg	St	Max.	Occ.			
38	SG7	R	1		CUX-DTM		
	DTM	O	1		Date/time/period		
To specify date, and/or time, or period.							
Business Term	DE	EDIFACT	Format	St	*	Description	
	C507	Date/time/period		M			
	2005	Date or time or period function code qualifier	an..3	M	*	134 Rate of exchange date/time	
Wechselkursdatum	2380	Date or time or period value	an..35	R			
	2379	Date or time or period format code	an..3	R		102 CCYYMMDD	
Segmentstatus: Optional Identification of the 'Document/message date/time' (code value 134) is conditional. Example: DTM+134:20160315:102' Date of the exchange rate is 15th of March 2016.							

Max. Occ. = Maximum Occurrence, St = Status, * = Restricted Codes
 Status: M=Mandatory, R=Required, O=Optional, D=Dependent, A=Advised, N=Not used

Segment Layout

No.	Seg	St	Max.	Occ.		
39	SG8	O	1		PAT-DTM	
	PAT	M	1		Payment terms basis To specify the payment terms basis.	
Notes: 1. This segment will be removed effective with directory D.02B.						
Business Term		DE	EDIFACT	Format	St	* Description
Payment term due date		4279	Payment terms type code qualifier	an..3	M	* 3 Fixed date
Segmentstatus: Optional This segment group PAT-DTM is used to indicate terms net due date without deduction. This segment is used by the issuer of invoice to indicate payment terms for the entire invoice. Example: PAT+3' The transport invoice contains a due date.						

Max. Occ. = Maximum Occurrence, St = Status, * = Restricted Codes
 Status: M=Mandatory, R=Required, O=Optional, D=Dependent, A=Advised, N=Not used

Segment Layout

No.	Seg	St	Max. Occ.			
40	SG8	O	1	PAT-DTM		
	DTM	O	1	Date/time/period		
To specify date, and/or time, or period.						
Business Term	DE	EDIFACT	Format	St	*	Description
	C507	Date/time/period		M		
	2005	Date or time or period function code qualifier	an..3	M	*	13 Terms net due date
Due date without deduction	2380	Date or time or period value	an..35	R		
	2379	Date or time or period format code	an..3	R		102 CCYYMMDD
<p>Segmentstatus: Optional This segment is used to specify any dates associated with the payment terms for the invoice. DE 2005 = 13, Due date when settlement is without deduction, e.g. when direct debit is agreed. (Due date is to be understood as the entry date of direct debit at the first bank)</p> <p>Example: DTM+13:20160415:102' Invoice is due on 15th of May 2016.</p>						

Max. Occ. = Maximum Occurrence, St = Status, * = Restricted Codes
 Status: M=Mandatory, R=Required, O=Optional, D=Dependent, A=Advised, N=Not used

Segment Layout

No.	Seg	St	Max.	Occ.			
41	SG8	O	1		PAT-DTM		
	PAT	M	1		Payment terms basis To specify the payment terms basis.		
Notes:							
1. This segment will be removed effective with directory D.02B.							
Business Term		DE	EDIFACT	Format	St	*	Description
Payment term value date		4279	Payment terms type code qualifier	an..3	M	*	3 Fixed date
Segmentstatus: Optional This segment group PAT-DTM is only used to indicate value date.							
Example: PAT+3' The transport invoice contains a value date.							

Max. Occ. = Maximum Occurrence, St = Status, * = Restricted Codes
Status: M=Mandatory, R=Required, O=Optional, D=Dependent, A=Advised, N=Not used

Segment Layout

No.	Seg	St	Max. Occ.			
42	SG8	O	1	PAT-DTM		
	DTM	O	1	Date/time/period		
To specify date, and/or time, or period.						
Business Term	DE	EDIFACT	Format	St	*	Description
	C507	Date/time/period		M		
	2005	Date or time or period function code qualifier	an..3	M	*	209 Value date
Value date	2380	Date or time or period value	an..35	R		
	2379	Date or time or period format code	an..3	R		102 CCYYMMDD
Segmentstatus: Optional The value date is an extended invoice date, which is the basis for payment terms. Example: DTM+209:20160412:102' The value date is 12th of April 2016.						

Max. Occ. = Maximum Occurrence, St = Status, * = Restricted Codes
 Status: M=Mandatory, R=Required, O=Optional, D=Dependent, A=Advised, N=Not used

Segment Layout

No. Seg	St	Max. Occ.				
43	SG12	O 1	TOD-LOC			
	TOD	M 1	Terms of delivery or transport To specify terms of delivery or transport.			
Business Term	DE	EDIFACT	Format	St	*	Description
	4055	Delivery or transport terms function code	an..3	C	*	5 Transport condition
	4215	Transport charges payment method code	an..3	N		
	C100	Terms of delivery or transport		R		
Delivery terms	4053	Delivery or transport terms description code	an..3	R		The code list Frankatur (4053) in the appendix replaces the EANCOM code list 4053 in this recommendation.
	1131	Code list identification code	an..17	O		FIATA
	3055	Code list responsible agency code	an..3	D	*	246 GS1 Germany
	4052	Delivery or transport terms description	an..70	D		Delivery term text in plain text
<p>Segmentstatus: Optional This segment is used to specify delivery terms for the whole message.</p> <p>Example: TOD+5++100:FIATA:246' The risk and cost transfer takes place ex works (code value = 100).</p>						

Max. Occ. = Maximum Occurrence, St = Status, * = Restricted Codes
 Status: M=Mandatory, R=Required, O=Optional, D=Dependent, A=Advised, N=Not used

Segment Layout

No.	Seg	St	Max. Occ.				
44	SG12	O	1	TOD-LOC			
	LOC	O	2	Place/location identification To identify a place or a location and/or related locations.			
Business Term		DE	EDIFACT	Format	St	*	Description
		3227	Location function code qualifier	an..3	M	*	1 Place of terms of delivery (Location relevant for the delivery terms)
		C517	Location identification		A		
		3225	Location name code	an..25	A		
		1131	Code list identification code	an..17	O		
		3055	Code list responsible agency code	an..3	D		
	Delivery terms location	3224	Location name	an..256	O		
<p>Segmentstatus: Optional This segment is used to identify the delivery term location The location is not required for all delivery terms, e. g. at "free". In the case of broken delivery terms, however, the place of the cost transfer must be indicated. The LOC segment must be used in conjunction with the TOD.</p> <p>Example: LOC+1+:::Werk Köln' The delivery terms location is the Cologne plant.</p>							

Max. Occ. = Maximum Occurrence, St = Status, * = Restricted Codes
 Status: M=Mandatory, R=Required, O=Optional, D=Dependent, A=Advised, N=Not used

Segment Layout

No.	Seg	St	Max.	Occ.		
	SG26	R	9999999		LIN-PIA-IMD-QTY-SG27-SG29-SG31-SG34	
45	LIN	M	1		Line item To identify a line item and configuration.	
Business Term	DE	EDIFACT	Format	St	*	Description
Line item number	1082	Line item identifier	an..6	R		Application generated number of the item lines within the invoice.
	1229	Action request/ notification description code	an..3	N		
	C212	Item number identification		D		
GTIN - Logistic service	7140	Item identifier	an..35	R		GTIN, Format n..14
	7143	Item type identification code	an..3	R	*	SRV GS1 Global Trade Item Number
<p>Segmentstatus: Mandatory Segmentgroup status: This segment group is must be used if logistic services are invoiced on their own. For each service type of an invoiced shipment, such a LIN position group must be formed. Example: Cargo package, truck toll etc.</p> <p>Example: LIN+1++4000862141423:SRV' The service type to be settled has the GTIN 4000862141423.</p>						

Max. Occ. = Maximum Occurrence, St = Status, * = Restricted Codes
 Status: M=Mandatory, R=Required, O=Optional, D=Dependent, A=Advised, N=Not used

Segment Layout

No.	Seg	St	Max.	Occ.		
46	SG26	R	9999999		LIN-PIA-IMD-QTY-SG27-SG29-SG31-SG34	
	PIA	O	1		Additional product id To specify additional or substitutional item identification codes.	
Business Term	DE	EDIFACT	Format	St	*	Description
	4347	Product identifier code qualifier	an..3	M	*	1 Additional identification
	C212	Item number identification		M		
Suppliers internal article number	7140	Item identifier	an..35	R		
	7143	Item type identification code	an..3	R	*	SA Supplier's article number
	1131	Code list identification code	an..17	N		
	3055	Code list responsible agency code	an..3	R	*	91 Assigned by supplier or supplier's agent
<p>Segmentstatus: Optional This segment is used to specify the article number of the supplier. Example: PIA+1+ABC5343:SA: :91' Suppliers internal article number is ABC5343.</p>						

Max. Occ. = Maximum Occurrence, St = Status, * = Restricted Codes
Status: M=Mandatory, R=Required, O=Optional, D=Dependent, A=Advised, N=Not used

Segment Layout

No. Seg	St	Max. Occ.				
47	SG26	R 9999999	LIN-PIA-IMD-QTY-SG27-SG29-SG31-SG34			
	IMD	R 99	Item description			
To describe an item in either an industry or free format.						
Business Term	DE	EDIFACT	Format	St	*	Description
	7077	Description format code	an..3	O	*	A Free-form long description
	C272	Item characteristic		O		
	7081	Item characteristic code	an..3	R		
	C273	Item description		A		
	7009	Item description code	an..17	O		
	1131	Code list identification code	an..17	O		
	3055	Code list responsible agency code	an..3	D		
Service type in plain text	7008	Item description	an..256	O		
	7008	Item description	an..256	O		
	3453	Language name code	an..3	O		DE German EN English ISO 639 two alpha code
<p>Segmentstatus: Mandatory This segment is used to provide a description for the service type, e. g. cargo package.</p> <p>Example: IMD+A++:::Frachtpauschale::DE' The article description is: Frachtpauschale.</p>						

Max. Occ. = Maximum Occurrence, St = Status, * = Restricted Codes
 Status: M=Mandatory, R=Required, O=Optional, D=Dependent, A=Advised, N=Not used

Segment Layout

No. Seg	St	Max. Occ.				
48			SG26	R	9999999	LIN-PIA-IMD-QTY-SG27-SG29-SG31-SG34
			QTY	R	1	Quantity
To specify a pertinent quantity.						
Business Term	DE	EDIFACT	Format	St	*	Description
	C186	Quantity details		M		
	6063	Quantity type code qualifier	an..3	M	*	47 Invoiced quantity
Invoiced quantity	6060	Quantity	an..35	M		
Unit of measurement	6411	Measurement unit code	an..3	C		KGM kilogram MTR metre LTR litre PCE Piece (GS1 Temporary Code) All code values of the codes list are allowed
<p>Segmentstatus: Mandatory This segment is used to specify quantity units and with dimensions (e. g. customs clearance items, number of pallets, number of stops, hours, packaging units (palettes)).</p> <p>Example: QTY+47:66:KGM' 66 kg are invoiced.</p>						

Max. Occ. = Maximum Occurrence, St = Status, * = Restricted Codes
 Status: M=Mandatory, R=Required, O=Optional, D=Dependent, A=Advised, N=Not used

Segment Layout

No.	Seg	St	Max.	Occ.		
	SG26	R	9999999		LIN-PIA-IMD-QTY-SG27-SG29-SG31-SG34	
	SG27	R	1		MOA	
49	MOA	M	1		Monetary amount	
To specify a monetary amount.						
Business Term	DE	EDIFACT	Format	St	*	Description
	C516	Monetary amount		M		
	5025	Monetary amount type code qualifier	an..3	M	*	203 Line item amount
Net amount of the service type	5004	Monetary amount	n..35	R		
<p>Segmentstatus: Mandatory This segment is used to specify the position value. Important note: The invoiced currency has already been defined in the CUX segment at the header level. Example: MOA+203:108.13' The line item amount is 108.13.</p>						

Max. Occ. = Maximum Occurrence, St = Status, * = Restricted Codes
 Status: M=Mandatory, R=Required, O=Optional, D=Dependent, A=Advised, N=Not used

Segment Layout

No. Seg	St	Max. Occ.				
50	SG26	R 9999999	LIN-PIA-IMD-QTY-SG27-SG29-SG31-SG34			
	SG29	O 25	PRI			
	PRI	M 1	Price details			
	To specify price information.					
Business Term	DE	EDIFACT	Format	St	*	Description
	C509	Price information		R		
	5125	Price code qualifier	an..3	M		AAA Calculation net
Price	5118	Price amount	n..15	R		
	5375	Price type code	an..3	O		AE Range dependent price CA Catalogue CT Contract
	5387	Price specification code	an..3	O		AP Advice price
Price basis	5284	Unit price basis value	n..9	D		
	6411	Measurement unit code	an..3	D		KGM kilogram KTM kilometre All code values from EANCOM codelist 6411 available
<p>Segmentstatus: Mandatory This segment must be used to provide price information to calculate the line item amount. This segment group can be repeated up to 25 times. The price of the invoiced unit is stated in the first price segment (PRI). All further details by repetition of SG 29 are informative prices.</p> <p>Example: PRI+AAA:14.11:CA:AP:1:KGM' The net price from the catalogue is 14.11 EURO.</p>						

Max. Occ. = Maximum Occurrence, St = Status, * = Restricted Codes
 Status: M=Mandatory, R=Required, O=Optional, D=Dependent, A=Advised, N=Not used

Segment Layout

No. Seg	St	Max. Occ.				
51	SG26	R 9999999	LIN-PIA-IMD-QTY-SG27-SG29-SG31-SG34			
	SG31	O 10	PAC-MEA-SG32			
	PAC	M 1	Package			
To describe the number and type of packages/physical units.						
Business Term	DE	EDIFACT	Format	St	*	Description
Number of packages (service type)	7224	Package quantity	n..8	R		
	C531	Packaging details		A		
	7075	Packaging level code	an..3	N		
	7233	Packaging related description code	an..3	O	*	52 Package barcoded UCC or EAN-128
	7073	Packaging terms and conditions code	an..3	O		
	C202	Package type		O		
	7065	Package type description code	an..17	A		201 Pallet ISO 1 - 1/1 EURO Pallet (GS1 Temporary Code) PC Parcel CS Case CT Carton All code values from EANCOM codelist 7065 available
	1131	Code list identification code	an..17	O		
	3055	Code list responsible agency code	an..3	D	*	9 GS1 Code value 9 is only used if DE 7065 contains a GS1 code.
<p>Segmentstatus: Mandatory This segment can provide the number of packages. Example: PAC+1++CT' The consignment consists of one package and is a carton.</p>						

Max. Occ. = Maximum Occurrence, St = Status, * = Restricted Codes
 Status: M=Mandatory, R=Required, O=Optional, D=Dependent, A=Advised, N=Not used

Segment Layout

No. Seg	St	Max. Occ.				
52	SG26	R 9999999	LIN-PIA-IMD-QTY-SG27-SG29-SG31-SG34			
	SG31	O 10	PAC-MEA-SG32			
	MEA	O 10	Measurements			
To specify physical measurements, including dimension tolerances, weights and counts.						
Business Term	DE	EDIFACT	Format	St	*	Description
	6311	Measurement purpose code qualifier	an..3	M	*	PD Physical dimensions (product ordered)
	C502	Measurement details		A		
	6313	Measured attribute code	an..3	A		AAD Total gross weight ABJ Volume AAW Gross volume LN Length dimension HT Height dimension
	6321	Measurement significance code	an..3	O		
	6155	Non-discrete measurement name code	an..17	N		
	6154	Non-discrete measurement name	an..70	N		
	C174	Value/range		R		
	6411	Measurement unit code	an..3	M		KGM kilogram MTR metre
	6314	Measurement value	an..18	O		
<p>Specification of the consignment item (service type), e. g. weight</p>						
<p>Segmentstatus: Optional The MEA segment on line level is only used, when consumer units are invoiced, otherwise the information is provided on sub line level. This MEA segment indicates the weight of one invoiced unit.</p> <p>Example: MEA+PD+AAD+KGM:66' The net weight of the service is 66 kg.</p>						

Max. Occ. = Maximum Occurrence, St = Status, * = Restricted Codes
 Status: M=Mandatory, R=Required, O=Optional, D=Dependent, A=Advised, N=Not used

Segment Layout

No. Seg	St	Max. Occ.				
SG26	R	9999999	LIN-PIA-IMD-QTY-SG27-SG29-SG31-SG34			
SG31	O	10	PAC-MEA-SG32			
SG32	O	10	PCI-GIN			
53 PCI	M	1	Package identification			
To specify markings and labels on individual packages or physical units.						
Business Term	DE	EDIFACT	Format	St	*	Description
Package identification type	4233	Marking instructions code	an..3	R		33E Marked with serial shipping container code (GS1 Temporary Code) IEN Package Identity Number (GS1 Temporary Code)
	C210	Marks & labels		O		
Number of a package	7102	Shipping marks description	an..35	M		This DE is only used if DE 4233 = IEN, otherwise use following GIN segment. The number of a package may only be used additionally to SSCC.
<p>Segmentstatus: Optional This segment is used to provide the package identification.</p> <p>Example: PCI+IEN+12337616644' The package identification is 12337616644.</p>						

Max. Occ. = Maximum Occurrence, St = Status, * = Restricted Codes
 Status: M=Mandatory, R=Required, O=Optional, D=Dependent, A=Advised, N=Not used

Segment Layout

No. Seg	St	Max. Occ.	
SG26	R	9999999	LIN-PIA-IMD-QTY-SG27-SG29-SG31-SG34
SG31	O	10	PAC-MEA-SG32
SG32	O	10	PCI-GIN
54 GIN	D	10	Goods identity number
To give specific identification numbers, either as single numbers or ranges.			
Business Term	DE	EDIFACT	Format St * Description
	7405	Object identification code qualifier	an..3 M * BJ Serial shipping container code
	C208	Identity number range	M
Serial Shipping Container Code (SSCC)	7402	Object identifier	an..35 M
Serial Shipping Container Code (SSCC)	7402	Object identifier	an..35 O
	C208	Identity number range	O
	7402	Object identifier	an..35 N
	C208	Identity number range	O
	7402	Object identifier	an..35 N
	C208	Identity number range	O
	7402	Object identifier	an..35 N
	C208	Identity number range	O
	7402	Object identifier	an..35 N
<p>Segmentstatus: Dependent This segment is used to provide the Serial Shipping Container Code marked on the packaging of the current goods item. This segment is only used, if DE 4233 in the preceding PCI segment = 33E.</p> <p>Example: GIN+BJ+35412345000000014:X' The SSCC is 340123450000000014</p>			

Max. Occ. = Maximum Occurrence, St = Status, * = Restricted Codes
 Status: M=Mandatory, R=Required, O=Optional, D=Dependent, A=Advised, N=Not used

Segment Layout

No.	Seg	St	Max. Occ.			
	SG26	R	9999999	LIN-PIA-IMD-QTY-SG27-SG29-SG31-SG34		
	SG34	D	1	TAX		
55	TAX	M	1	Duty/tax/fee details		
To specify relevant duty/tax/fee information.						
Business Term	DE	EDIFACT	Format	St	*	Description
	5283	Duty or tax or fee function code qualifier	an..3	M	*	7 Tax
	C241	Duty/tax/fee type		D		
Value added tax on line level	5153	Duty or tax or fee type name code	an..3	R	*	VAT Value added tax
	C533	Duty/tax/fee account detail		N		
	5289	Duty or tax or fee account code	an..6			
	5286	Duty or tax or fee assessment basis value	an..15	N		
	C243	Duty/tax/fee detail		O		
	5279	Duty or tax or fee rate code	an..7	N		
	1131	Code list identification code	an..17	N		
	3055	Code list responsible agency code	an..3	N		
	5278	Duty or tax or fee rate	an..17	R		Actual tax rate Indication of the VAT rate that is used to calculate the VAT amount (if applicable = Zero, e. g. Reverse Charge)
	5305	Duty or tax or fee category code	an..3	D		E Exempt from tax S Standard rate O Services outside scope of tax (non taxable sales)
<p>Segmentstatus: Depending, is only used if the current line has a VAT rate other than indicated in SG6.</p> <p>The main tax rate has been indicated in the heading section of the message. Should the occasion arise different tax rates have to be indicated here at detail level.</p> <p>Note to DE 5278 and 5305: if the business volume is free of tax, DE 5278 must contain 0 (zero).</p> <p>Example: TAX+7+VAT+++:::19+S'</p> <p>The VAT rate for the current line item is 19%.</p>						

Max. Occ. = Maximum Occurrence, St = Status, * = Restricted Codes
 Status: M=Mandatory, R=Required, O=Optional, D=Dependent, A=Advised, N=Not used

Segment Layout

No.	Seg	St	Max.	Occ.			
56	UNS	M	1		Section control		
To separate header, detail and summary sections of a message.							
Notes:							
1. To be used by message designers when required to avoid ambiguities. Mandatory only if specified for the type of message concerned.							
Business Term	DE	EDIFACT	Format	St	*	Description	
Detail and Summary section separation	0081	Section identification	a1	M	*	S Detail/summary section separation	
Segmentstatus: Mandatory							
This segment is used to identify the break between the message detail and message trailer sections.							
Example: UNS+S'							
Separation of detail- and summary section							

Max. Occ. = Maximum Occurrence, St = Status, * = Restricted Codes
 Status: M=Mandatory, R=Required, O=Optional, D=Dependent, A=Advised, N=Not used

Segment Layout

No. Seg	St	Max. Occ.				
57	CNT	O 10	Control total			
To provide control total.						
Business Term	DE	EDIFACT	Format	St	*	Description
	C270	Control		M		
	6069	Control total type code qualifier	an..3	M	*	7 Total gross weight
Total weight of shipments	6066	Control total value	n..18	C		
Segmentstatus: Optional The total weight of the shipments is indicated here. Example: CNT+7:9' The total weight of shipments is 9 units.						

Max. Occ. = Maximum Occurrence, St = Status, * = Restricted Codes
 Status: M=Mandatory, R=Required, O=Optional, D=Dependent, A=Advised, N=Not used

Segment Layout

No.	Seg	St	Max.	Occ.		
58	SG50	R	1		MOA	
	MOA	M	1		Monetary amount	
To specify a monetary amount.						
Business Term	DE	EDIFACT	Format	St	*	Description
	C516	Monetary amount		M		
	5025	Monetary amount type code qualifier	an..3	M	*	77 Invoice amount
Total invoice amount	5004	Monetary amount	n..35	R		
<p>Segmentgroup status: This segment group must be used. It is used to provide total amounts for the whole invoice.</p> <p>Segmentstatus: Mandatory</p> <p>This segment provides the total invoice amount.</p> <p>Example: MOA+77:121.99'</p> <p>The invoice amount is 121.99 EURO.</p>						

Max. Occ. = Maximum Occurrence, St = Status, * = Restricted Codes
 Status: M=Mandatory, R=Required, O=Optional, D=Dependent, A=Advised, N=Not used

Segment Layout

No.	Seg	St	Max.	Occ.		
	SG50	R	1		MOA	
59	MOA	M	1		Monetary amount	
To specify a monetary amount.						
Business Term	DE	EDIFACT	Format	St	*	Description
	C516	Monetary amount		M		
	5025	Monetary amount type code qualifier	an..3	M	*	79 Total line items amount
Invoice total line items amount	5004	Monetary amount	n..35	R		
<p>Segmentstatus: Mandatory This MOA segment provides the invoice total line amount. The total item amount is made up of the sum of all services (MOA + 203) of the item.</p> <p>Example: MOA+79:108.13' The total of all net line amounts is 108.13 EURO.</p>						

Max. Occ. = Maximum Occurrence, St = Status, * = Restricted Codes
 Status: M=Mandatory, R=Required, O=Optional, D=Dependent, A=Advised, N=Not used

Segment Layout

No.	Seg	St	Max.	Occ.		
60	SG50	R	1		MOA	
	MOA	M	1		Monetary amount	
To specify a monetary amount.						
Business Term	DE	EDIFACT	Format	St	*	Description
	C516	Monetary amount		M		
	5025	Monetary amount type code qualifier	an..3	M	*	125 Taxable amount
Invoice taxable amount	5004	Monetary amount	n..35	R		
Segmentstatus: Mandatory This MOA segment provides the invoice taxable amount. Example: MOA+125:105.16' The taxable amount is 105.16 EURO.						

Max. Occ. = Maximum Occurrence, St = Status, * = Restricted Codes
 Status: M=Mandatory, R=Required, O=Optional, D=Dependent, A=Advised, N=Not used

Segment Layout

No.	Seg	St	Max.	Occ.		
	SG50	R	1		MOA	
61	MOA	M	1		Monetary amount	
To specify a monetary amount.						
Business Term	DE	EDIFACT	Format	St	*	Description
	C516	Monetary amount		M		
	5025	Monetary amount type code qualifier	an..3	M	*	124 Tax amount
Invoice total tax amount	5004	Monetary amount	n..35	R		
Segmentstatus: Mandatory This MOA segment provides the total of invoice taxes. Example: MOA+124:16.83' The invoice total VAT amount is 16.83 EURO.						

Max. Occ. = Maximum Occurrence, St = Status, * = Restricted Codes
 Status: M=Mandatory, R=Required, O=Optional, D=Dependent, A=Advised, N=Not used

Segment Layout

No. Seg	St	Max. Occ.				
62		D 10	TAX-MOA			
		M 1	Duty/tax/fee details			
To specify relevant duty/tax/fee information.						
Business Term	DE	EDIFACT	Format	St	*	Description
	5283	Duty or tax or fee function code qualifier	an..3	M	*	7 Tax
	C241	Duty/tax/fee type		D		
Tax per invoice amount	5153	Duty or tax or fee type name code	an..3	O	*	VAT Value added tax
	1131	Code list identification code	an..17	O		
	3055	Code list responsible agency code	an..3	D		
	5152	Duty or tax or fee type name	an..35	O		
	C533	Duty/tax/fee account detail		O		
	5289	Duty or tax or fee account code	an..6	N		
	1131	Code list identification code	an..17	O		
	3055	Code list responsible agency code	an..3	D		
	5286	Duty or tax or fee assessment basis value	an..15	O		
	C243	Duty/tax/fee detail		A		
	5279	Duty or tax or fee rate code	an..7	O		
	1131	Code list identification code	an..17	O		
	3055	Code list responsible agency code	an..3	D		
	5278	Duty or tax or fee rate	an..17	R		Actual tax rate Indication of the VAT rate that is used to calculate the VAT amount (if applicable = Zero, e.g. Reverse Charge)
	5273	Duty or tax or fee rate basis code	an..12	O		
	1131	Code list identification code	an..17	O		
	3055	Code list responsible agency code	an..3	D		
	5305	Duty or tax or fee category code	an..3	D		AE VAT Reverse Charge In case of reverse charge the VAT-registration-no./tax-no. has to be indicated following NAD+BY. E Exempt from tax S Standard rate O Services outside

Max. Occ. = Maximum Occurrence, St = Status, * = Restricted Codes
 Status: M=Mandatory, R=Required, O=Optional, D=Dependent, A=Advised, N=Not used

Segment Layout

Business Term	DE	EDIFACT	Format	St	*	Description
						scope of tax (non taxable sales)
<p>Segmentgroup status: Depending, i.e. this SG must only be used if the invoice contains more than one tax rate.</p> <p>If the invoice contains more than one tax rate, this segment group has to be made up for every existent tax rate, i.e. if only one tax rate is used, segment group 52 needs not to be used.</p> <p>Note to DE 5278 and 5305: if the business volume is free of tax, DE 5278 must contain 0 (zero).</p> <p>Example: TAX+7+VAT+++:::19+S'</p> <p>The amounts based on a tax rate of 19% are:</p>						

Max. Occ. = Maximum Occurrence, St = Status, * = Restricted Codes
 Status: M=Mandatory, R=Required, O=Optional, D=Dependent, A=Advised, N=Not used

Segment Layout

No.	Seg	St	Max.	Occ.		
63	SG52	D	10		TAX-MOA	
	MOA	R	1		Monetary amount	
To specify a monetary amount.						
Business Term	DE	EDIFACT	Format	St	*	Description
	C516	Monetary amount		M		
	5025	Monetary amount type code qualifier	an..3	M	*	124 Tax amount
Tax amount per VAT rate	5004	Monetary amount	n..35	R		
<p>Segmentgroup status: Depending, i.e. this SG must only be used if the invoice contains more than one tax rate. This MOA segment provides the invoice taxes.</p> <p>Example: MOA+124:16.83' The invoice VAT amount is 16.83 EURO.</p>						

Max. Occ. = Maximum Occurrence, St = Status, * = Restricted Codes
 Status: M=Mandatory, R=Required, O=Optional, D=Dependent, A=Advised, N=Not used

Segment Layout

No.	Seg	St	Max.	Occ.		
64	SG52	D	10		TAX-MOA	
	MOA	R	1		Monetary amount	
To specify a monetary amount.						
Business Term	DE	EDIFACT	Format	St	*	Description
	C516	Monetary amount		M		
	5025	Monetary amount type code qualifier	an..3	M	*	125 Taxable amount
Invoice taxable amount per VAT rate	5004	Monetary amount	n..35	R		
<p>Segmentgroup status: Depending, i.e. this SG must only be used if the invoice contains more than one tax rate. This MOA segment provides the invoice taxable amount/tax rate. Example: MOA+125:105.16' The taxable amount/tax rate is 105.16 EURO.</p>						

Max. Occ. = Maximum Occurrence, St = Status, * = Restricted Codes
 Status: M=Mandatory, R=Required, O=Optional, D=Dependent, A=Advised, N=Not used

Segment Layout

No.	Seg	St	Max.	Occ.		
	SG52	D	10		TAX-MOA	
65	MOA	R	1		Monetary amount	
To specify a monetary amount.						
Business Term	DE	EDIFACT	Format	St	*	Description
	C516	Monetary amount		M		
	5025	Monetary amount type code qualifier	an..3	M	*	79 Total line items amount
Invoice total line items amount per VAT rate	5004	Monetary amount	n..35	R		
<p>Segmentgroup status: Depending, i.e. this SG must only be used if the invoice contains more than one tax rate.</p> <p>This MOA segment provides the invoice total line amount per VAT rate.</p> <p>Example: MOA+79:108.13'</p> <p>The total of all net line amounts is 108.13 EURO.</p>						

Max. Occ. = Maximum Occurrence, St = Status, * = Restricted Codes
 Status: M=Mandatory, R=Required, O=Optional, D=Dependent, A=Advised, N=Not used

Segment Layout

No. Seg	St	Max. Occ.				
66	UNT	M 1	Message trailer To end and check the completeness of a message.			
Business Term	DE	EDIFACT	Format	St	*	Description
Total number of segments	0074	Number of segments in the message	n..6	M		
	0062	Message reference number	an..14	M		The reference number from the UNH segment must be repeated here.
<p>Segmentstatus: Mandatory This UNT segment is a mandatory UN/EDIFACT segment. It must always be the last segment in the message.</p> <p>Example: UNT+64+ME000001' The message contains 64 segments.</p>						

Max. Occ. = Maximum Occurrence, St = Status, * = Restricted Codes
 Status: M=Mandatory, R=Required, O=Optional, D=Dependent, A=Advised, N=Not used

Segment Layout

No. Seg	St	Max. Occ.				
67	UNZ	M 1	Interchange trailer To end and check the completeness of an interchange.			
Business Term	DE	EDIFACT	Format	St	*	Description
End of the transmission file Number of messages or message groups	0036	Interchange control count	n..6	M		Number of messages or message groups in the transmission file.
Interchange control reference, end	0020	Interchange control reference	an..14	M		Interchange control reference, identical with UNB DE 0020.
<p>Segmentstatus: Mandatory The UNZ segment is the last segment of the transmission file. Note DE 0036: If functional groups are not used, this is the number of messages within the interchange.</p> <p>Example: UNZ+1+4711' The transmission file contains 1 message.</p>						

Max. Occ. = Maximum Occurrence, St = Status, * = Restricted Codes
 Status: M=Mandatory, R=Required, O=Optional, D=Dependent, A=Advised, N=Not used

Used Codes

0001	Syntax identifier Coded identification of the agency controlling a syntax and syntax level used in an interchange. Notes: 1. a3, upper case, Controlling Agency (e.g. UNO=UN/ECE) and a1 stating level (e.g. A) (which together give UNOA).
UNOA	UN/ECE level A As defined in the basic code table of ISO 646 with the exceptions of lower case letters, alternative graphic character allocations and national or application-oriented graphic character allocations.
UNOB	UN/ECE level B As defined in the basic code table of ISO 646 with the exceptions of alternative graphic character allocations and national or application-oriented graphic character allocations.
UNOC	UN/ECE level C As defined in ISO 8859-1 : Information processing - Part 1: Latin alphabet No. 1.
UNOD	UN/ECE level D As defined in ISO 8859-2 : Information processing - Part 2: Latin alphabet No. 2.
UNOE	UN/ECE level E As defined in ISO 8859-5 : Information processing - Part 5: Latin/Cyrillic alphabet.
UNOF	UN/ECE level F As defined in ISO 8859-7 : Information processing - Part 7: Latin/Greek alphabet.
UNOG	UN/ECE level G As defined in ISO 8859-3 : Information processing - Part 3: Latin alphabet.
UNOH	UN/ECE level H As defined in ISO 8859-4 : Information processing - Part 4: Latin alphabet.
UNOI	UN/ECE level I As defined in ISO 8859-6 : Information processing - Part 6: Latin/Arabic alphabet.
UNOJ	UN/ECE level J As defined in ISO 8859-8 : Information processing - Part 8: Latin/Hebrew alphabet.
UNOK	UN/ECE level K As defined in ISO 8859-9 : Information processing - Part 9: Latin alphabet.

Used Codes

UNOW	UN/ECE level W ISO 10646-1 octet with code extension technique to support UTF-8 (UCS Transformation Format, 8 bit) encoding.
UNOX	UN/ECE level X Code extension technique as defined by ISO 2022 utilising the escape techniques in accordance with ISO 2375.
UNOY	UN/ECE level Y ISO 10646-1 octet without code extension technique.
0002	Syntax version number Version number of the syntax identified in the syntax identifier (0001) Notes: 1. Increments 1 for each version.
3	Version 3 ISO 9735 Amendment 1:1992. GS1 Description: Syntax version number 3. This code can be used with all of the character sets (A, B, C, D, E and F).
0007	Partner identification code qualifier Qualifier referring to the source of codes for the identifiers of interchanging partners. Notes: 1. Used with sender/recipient identification code.
14	GS1 Partner identification code assigned by GS1, an international organization of GS1 Member Organizations that manages the GS1 System.
0025	Recipient's reference/password qualifier Qualifier for the recipient's reference or password. Notes: 1. If specified in IA.
AA	Reference Recipient's reference/password is a reference.
BB	Password Recipient's reference/password is a password.

Used Codes

0029	<p>Processing priority code</p> <p>Code determined by the sender requesting processing priority for the interchange.</p> <p>Notes:</p> <p>1. Used if specified in IA.</p>
A	<p>Highest priority</p> <p>Requested processing priority is the highest.</p>
0031	<p>Acknowledgement request</p> <p>Code determined by the sender for acknowledgement of the interchange.</p> <p>Notes:</p> <p>1. Set = 1 if sender requests acknowledgement, i.e. UNB and UNZ segments received and identified.</p>
1	<p>Requested</p> <p>Acknowledgement is requested.</p>
0035	<p>Test indicator</p> <p>Indication that the interchange is a test.</p> <p>Notes:</p> <p>1. Set = 1 if the interchange is a test. Otherwise not used.</p>
1	<p>Interchange is a test</p> <p>Indicates that the interchange is a test.</p>
0051	<p>Controlling agency</p> <p>Code to identify the agency controlling the specification, maintenance and publication of the message type.</p>
UN	<p>UN/CEFACT</p> <p>United Nations Centre for Trade Facilitation and Electronic Business (UN/CEFACT).</p> <p>GS1 Description:</p> <p>UN Economic Commission for Europe (UN/ECE), Committee on the development of trade (TRADE), Working Party on facilitation of international trade procedures (WP.4).</p>
0052	<p>Message version number</p> <p>Version number of a message type.</p> <p>Notes:</p> <p>1. If UNG/UNE is used, shall be identical in UNG and UNE.</p> <p>The representation of 0052 was specified as n..3 in version 1 of ISO 9735.</p>

Used Codes

D	Draft version/UN/EDIFACT Directory Message approved and issued as a draft message (Valid for directories published after March 1993 and prior to March 1997). Message approved as a standard message (Valid for directories published after March 1997).
0054	Message release number Release number within the current message type version number (0052). Notes: 1. The representation of 0054 was specified as n..3 in version 1 of ISO 9735.
01B	Release 2001 - B Message approved and issued in the second 2001 release of the UNTDID (United Nations Trade Data Interchange Directory).
0057	Association assigned code A code assigned by the association responsible for the design and maintenance of the message type concerned, which further identifies the message.
EAN010	GS1 version control number (GS1 Permanent Code)
0065	Message type Code identifying a type of message and assigned by its controlling agency. Notes: 1. Type of message being transmitted.
INVOIC	Invoice message A code to identify the invoice message. GS1 Description: Message claiming payment for goods or services supplied under conditions agreed between the seller and the buyer. The UNSM invoice message, with correct data qualification, serves also as the specification for debit note and credit note messages.
0081	Section identification Separates sections in a message.
S	Detail/summary section separation To qualify the segment UNS, when separating the detail from the summary section of a message.
1000	Document name Name of a document.
301	= TRANSPORT INVOICE
302	= WAREHOUSE INVOICE

Used Codes

1001	Document name code Code specifying the document name.
380	Commercial invoice Document/message claiming payment for goods or services supplied under conditions agreed between seller and buyer.
381	Credit note - goods and services Document/message for providing credit information to the relevant party.
1131	Code list identification code Code identifying a user or association maintained code list. Notes: 1. The codes for this data element are provided by the code list responsible agency defined in data element 3055.
23	Clearing house automated payment Self explanatory. Notes: This code value will be removed effective with directory D.04A. GS1 Description: Banking community' automated payment clearing system.
25	Bank identification Code for identification of banks. Notes: This code value will be removed effective with directory D.04A.
106	Incoterms 1980 (4110) Code to indicate applicable Incoterm (1980 edition) under which seller undertakes to deliver merchandise to buyer (ICC). Incoterms 1990: use 4053 only. Notes: This code value will be removed effective with directory D.04A.
132	Charge Identification of a type of charge. Notes: This code value will be removed effective with directory D.04A.
154	Bank branch sorting identification Identification of a specific branch of a bank. Notes: This code value will be removed effective with directory D.04A.

Used Codes

157	<p>Clearing code</p> <p>Identification of the responsible bank/clearing house which has cleared or is ordered to do the clearing.</p> <p>Notes: This code value will be removed effective with directory D.04A.</p>
166	<p>Social security identification</p> <p>Code assigned by the authority competent to issue social security identification to identify a person.</p> <p>Notes: This code value will be removed effective with directory D.04A.</p>
174	<p>Citizen identification</p> <p>Self explanatory.</p> <p>Notes: This code value will be removed effective with directory D.04A.</p> <p>GS1 Description: Code issued by national authority competent to issue citizen identification to identify a person.</p>
1E	<p>Incoterms 1990 (GS1 Temporary Code)</p> <p>Incoterms 1990 as published by the International Chamber of Commerce (ICC).</p>
2E	<p>Incoterms 2000 (GS1 Temporary Code)</p> <p>Incoterms 2000 as published by the International Chamber of Commerce (ICC).</p>
3E	<p>Incoterms 2010 (GS1 Temporary Code)</p> <p>Incoterms 2010 as published by the International Chamber of Commerce (ICC).</p>
ADR	<p>Accord Europeen au transport international dangereuses (GS1 Temporary Code)</p> <p>A European agreement concerning the international carriage of dangerous goods by road.</p>
BR	<p>Brand (GS1 Temporary Code)</p> <p>An identifying mark or label on the products of a particular company, or the kind or make of a commodity.</p>
CA	<p>Category (GS1 Temporary Code)</p> <p>A class or division in a scheme of classification.</p>
CO	<p>Colour (GS1 Temporary Code)</p> <p>Description of the colour required/available on the goods.</p>
FL	<p>Flavor (GS1 Temporary Code)</p> <p>The characteristic quality of goods.</p>

Used Codes

HMT	Hazardous material standard text (GS1 Temporary Code) Code indicating agreed standard text on hazardous materials.
LOC	Location Code (GS1 Temporary Code) This is a code to indicate where the EAS tag is located on the Trade Item. Values include On outside of Trade Item, Concealed inside Trade Item, Integrated Inside Trade Item.
OAG	Organic Claim Agency (GS1 Temporary Code) A governing body that creates and maintain standards related to organic products.
OCO	Organic Trade Item Code (GS1 Temporary Code) Used to indicate the organic status of a trade item or of one or more of its components.
OUM	Ordering unit of measure (GS1 Temporary Code) The alternate Unit of Measure of how Trade Items are ordered by the Retailer under one Unit of Measure, but sold under another Unit of Measure.
SRN	Service relation number (GS1 Temporary Code) A number used to identify a database entry which records recurring services, e.g., treatment of a patient in a hospital, usage by a member of a library facilities, etc.
ST	Style (GS1 Temporary Code) Specific or characteristic design in any goods.
SUM	Selling unit of measure (GS1 Temporary Code) Describes the measurement used for selling unit of the Trade Item to the end consumer.
SZ	Size (GS1 Temporary Code) Any of a series of graded classifications of measure into which goods are divided.
SZG	Size Group (GS1 Temporary Code) A description of the variable size that is necessary to uniquely specify the size of the item in conjunction with the nonpackaged size dimension.
TYP	Type Code (GS1 Temporary Code) This is a code to indicate the type of EAS tag located on the Trade Item. Values include Acousto-Magnetic, Electro-Magnetic, Ink or dye, Microwave, Radio Frequency.
X11	Diet Allergen (GS1 Temporary Code) Indication of which dietary or allergen marks that are on the package.
X12	Environment (GS1 Temporary Code) Indication of which environmental marks (e.g. recycling schemes) that are on trade item package.
X13	Ethical (GS1 Temporary Code) Indication of which ethical trading marks that are on the package.

Used Codes

X14	Free Form (GS1 Temporary Code) Indication of which free-from marks that are on the package.
X15	Expiration date (GS1 Temporary Code) Indicates the type of expiration date marked on the packaging.
X16	Nesting Direction (GS1 Temporary Code) Depicts the arrangement of two items that nest together specifically whether they nest against each other or on top of each other.
X17	Package Marks Hygienic (GS1 Temporary Code) Indication of which hygiene markings are present in the product package
X18	Hazardous Components are Removable (GS1 Temporary Code) An indicator if any hazardous components contained within the trade item can easily be separated from the other materials to facilitate product recycling.
X19	Trade Item Has Refuse Obligations (GS1 Temporary Code) Indicates if there are special disposal obligations that apply to the trade item for example INTRASTAT.
X20	Trade Item Is Designed for Easy Disassembly (GS1 Temporary Code) Indicates that the trade item is designed for easy disassembly by recycling facilities using standard industry tools.
X21	Trade Item Is Rigid Plastic Packaging Container (GS1 Temporary Code) Indicates that a product is or is contained in a Rigid Plastic Packaging Container (RPPC) as defined by laws in the target market.
X22	Trade Item Is ROHS Compliant (GS1 Temporary Code) Indicates if the product is compliant with the European Union RoHS Directive.
X23	Trade Item Is Universal Waste (GS1 Temporary Code) Indicates if a product can be considered universal waste.
X24	Trade Item Is Consumer Upgradeable Or Maintainable (GS1 Temporary Code) Indicates if a product can be easily upgraded or have parts replaced by the consumer.
X25	Trade Item Contains Short Chain Chlorinated Paraffins (GS1 Temporary Code) Indicate if the trade item and/or its components contain paints, coatings, plastics or other materials containing short chain chlorinated paraffins (SCCPs).
X26	Trade Item Contains Pesticide (GS1 Temporary Code) Indicates if the trade item is advertised or labelled as a chemical or contains a chemical that is advertised or labelled to kill, repel or prevent the growth of any living organism.
X27	Trade Item Contains Propellant (GS1 Temporary Code) Indicates if a trade item contains a compressed gas or propellant.

Used Codes

X28	Trade Item Contains Polyvinyl Chloride (GS1 Temporary Code) Indicate if product contains Polyvinyl Chloride (PVC), a widely used thermoplastic polymer.
X29	Trade Item Chemical Is Not Intended For Human Consumption (GS1 Temporary Code) Indicates that the trade item is or contains a Liquid, Gel, Paste, Powder, or Flammable solid not intended for human consumption (ingested).
X30	ROHS Compliance Failure Material (GS1 Temporary Code) The material used in the trade item that does not comply with the ROHS Directives
X31	Packaging Terms And Condition (GS1 Temporary Code) Indicates if the packaging given in the described packaging configuration is a rented, exchangeable, against deposit or one way/not reusable.
X32	Warranty Effective Date Type (GS1 Temporary Code) The type of date associated with the warranty trade item usually expressed as an event date for the item for example date of purchase, date of manufacture or date of delivery.
X33	Warranty Type (GS1 Temporary Code)
X35	Warranty Constraint (GS1 Temporary Code)
X36	Seasonal Availability End Date (GS1 Temporary Code) Indicates the end date of the trade item's seasonal availability.
X37	Seasonal Availability Start Date (GS1 Temporary Code) Indicates the start date of the trade item's seasonal availability.
X38	Season Calendar Year (GS1 Temporary Code) This element indicates the calendar year in which the trade item is seasonally available.
X39	Season Parameter (GS1 Temporary Code) Indication of the season, in which the trade item is available.
X40	Trade Item Automatic Power Down is Enabled (GS1 Temporary Code) An indicator whether a product is enabled with auto power down feature when shipped to the customer.
X41	Electrical Usage Agency Code (GS1 Temporary Code) The agency that regulates electrical usage for products within a target market.
X42	Nesting Type (GS1 Temporary Code) Depicts whether a nested item fits inside or over the other item in a nesting relationship.
X43	Display Dimension Type Code (GS1 Temporary Code) Depicts certain display scenarios used for measurement.

Used Codes

X44	<p>Manufacturer Has Take Back Program (GS1 Temporary Code)</p> <p>Indicates if the manufacturer of the trade item offers any take back programs to consumers for the product to be reused, remanufactured or recycled by the manufacturer.</p>
X45	<p>Display Resolution (GS1 Temporary Code)</p> <p>The display resolution of a television or computer display.</p>
X46	<p>Orientation Preference Sequence (GS1 Temporary Code)</p> <p>Depicts the preferred sequence of orientation used to communicate the manufacturers relative preferences of orientation.</p>
X47	<p>Orientation Type (GS1 Temporary Code)</p> <p>Depicts via code a display orientation for a trade item.</p>
X48	<p>Electrical Usage Trade Item Classification Code (GS1 Temporary Code)</p> <p>A classification code value from a product classification scheme provided to drive required information for electrical usage.</p>
X49	<p>Electrical Usage Trade Item Classification Name (GS1 Temporary Code)</p> <p>A classification name from a product classification scheme provided to drive required information for electrical usage.</p>
X50	<p>Electrical Usage SubClassification Code (GS1 Temporary Code)</p> <p>A sub-classification code value from a product classification scheme provided to drive required information for electrical usage.</p>
X51	<p>Electrical Usage SubClassification Name (GS1 Temporary Code)</p> <p>A sub-classification name provided to drive required information for electrical usage.</p>
X52	<p>Confirmation Status Code (GS1 Temporary Code)</p> <p>The CIC Confirmation Code must be of a type of code number that can be generated automatically by a computer system.</p>
X53	<p>Confirmation Status Code Description (GS1 Temporary Code)</p> <p>Provides the code description that matches up with the Code that can possibly be generated automatically by a computer system.</p>
X54	<p>Additional Confirmation Status Description (GS1 Temporary Code)</p> <p>Provides a way to communicate human entered information that may not be covered by the machine to machine codes and descriptions.</p>
X55	<p>Corrective Action (GS1 Temporary Code)</p> <p>Provides the corrective action code to fix the issue that caused the problem.</p>
X56	<p>Expected Corrective Information (GS1 Temporary Code)</p> <p>Provides the expected corrective information via a human entered information that may not be covered by the machine to machine codes.</p>
X57	<p>Electrical Usage Trade Item Classification Agency (GS1 Temporary Code)</p> <p>A classification agency or organisation whose product classification scheme is being provided to drive required information for electrical usage.</p>

Used Codes

X58	ASFIS (GS1 Permanent Code) FAO alphah-3 code list for fish species identification, commercial name & scientific name.
X59	FAO fishing areas (GS1 Permanent Code) FAO fishing areas codelist.
X60	FAO Fishing gear type (GS1 Permanent Code) FAO Fishing gear type codelist.
X61	EU fish quality (GS1 Permanent Code) EU fish quality grade code list (E, A, B, C).
X62	EU fish size (GS1 Permanent Code) EU fish standardized size code list (1, 2, 3, 4, 5 & One_Size).
X63	EU fish presentation (GS1 Permanent Code) EU fish presentation code list (3 or 5 char alpha code).
ZZZ	Mutually defined Self explanatory. Notes: This code value will be removed effective with directory D.04A.
1153	Reference code qualifier Code qualifying a reference.
ABO	Originator's reference A unique reference assigned by the originator.
ADE	Account number Identification number of an account.
CT	Contract number Reference number of a contract concluded between parties.
CU	Consignor's reference number [1140] Reference number assigned by a consignor to a particular shipment for his own purposes or for those of the consignee.
DQ	Delivery note number Reference number assigned by the issuer to a delivery note.
FC	Fiscal number Tax payer's number. Number assigned to individual persons as well as to corporates by a public institution; this number is different from the VAT registration number.
FF	Freight forwarder's reference number [1460] Reference number assigned to the consignment by the freight forwarder.

Used Codes

GN	Government reference number A number that identifies a government reference. GS1 Description: This code value should not be used to provide the tax identification number for a party (use code VA).
IV	Invoice number [1334] Reference number assigned by the seller to a Commercial Invoice.
VA	VAT registration number Unique number assigned by the relevant tax authority to identify a party for use in relation to Value Added Tax (VAT).
YC1	Additional party identification (GS1 Temporary Code) Reference number to an additional party identification. This number may be the internal trading partner identification number used by a party to identify its trading parties.
1225	Message function code Code indicating the function of the message.
9	Original Initial transmission related to a given transaction.
2005	Date or time or period function code qualifier Code qualifying the function of a date, time or period.
13	Terms net due date Date by which payment must be made.
35	Delivery date/time, actual Date/time on which goods or consignment are delivered at their destination.
134	Rate of exchange date/time Date/time on which the exchange rate was fixed.
137	Document/message date/time (2006) Date/time when a document/message is issued. This may include authentication.
171	Reference date/time Date/time on which the reference was issued.
200	Pick-up/collection date/time of cargo Date/time at which the cargo is picked up.
209	Value date Date on which the funds are at the disposal of the beneficiary or cease to be at the disposal of the ordering customer.

Used Codes

2379	Date or time or period format code Code specifying the representation of a date, time or period.
2	DDMMYY Calendar date: D = Day; M = Month; Y = Year.
101	YYMMDD Calendar date: Y = Year; M = Month; D = Day.
102	CCYYMMDD Calendar date: C = Century ; Y = Year ; M = Month ; D = Day.
104	MMWW-MMWW A period of time specified by giving the start week of a month followed by the end week of a month. Data is to be transmitted as consecutive characters without hyphen.
107	DDD Day's number within a specific year: D = Day.
108	WW Week's number within a specific year: W = Week.
109	MM Month's number within a specific year: M = Month.
110	DD Day's number within is a specific month.
201	YYMMDDHHMM Calendar date including time without seconds: Y = Year; M = Month; D = Day; H = Hour; M = Minute.
203	CCYYMMDDHHMM Calendar date including time with minutes: C=Century; Y=Year; M=Month; D=Day; H=Hour; M=Minutes.
204	CCYYMMDDHHMMSS Calendar date including time with seconds: C=Century;Y=Year; M=Month; D=Day;H=Hour;M=Minute;S=Second.
401	HHMM Time without seconds: H = Hour; m = Minute.
501	HHMMHHMM Time span without seconds: H = Hour; m = Minute;.
502	HHMMSS-HHMMSS Format of period to be given without hyphen.
602	CCYY Calendar year including century: C = Century; Y = Year.

Used Codes

609	YYMM Month within a calendar year: Y = Year; M = Month.
610	CCYYMM Month within a calendar year: CC = Century; Y = Year; M = Month.
615	YYWW Week within a calendar year: Y = Year; W = Week 1st week of January = week 01.
616	CCYYWW Week within a calendar year: CC = Century; Y = Year; W = Week (1st week of January = week 01).
713	YYMMDDHHMM-YYMMDDHHMM Format of period to be given in actual message without hyphen.
715	YYWW-YYWW A period of time specified by giving the start week of a year followed by the end week of year (both not including century). Data is to be transmitted as consecutive characters without hyphen.
717	YYMMDD-YYMMDD Format of period to be given in actual message without hyphen.
718	CCYYMMDD-CCYYMMDD Format of period to be given without hyphen.
719	CCYYMMDDHHMM-CCYYMMDDHHMM A period of time which includes the century, year, month, day, hour and minute. Format of period to be given in actual message without hyphen.
720	DHHMM-DHHMM Format of period to be given without hyphen (D=day of the week, 1=Monday; 2=Tuesday; ... 7=Sunday).
801	Year To indicate a quantity of years.
802	Month To indicate a quantity of months.
803	Week To indicate a quantity of weeks.
804	Day To indicate a quantity of days.
805	Hour To indicate a quantity of hours.
806	Minute To indicate a quantity of minutes.

Used Codes

810	Trimester To indicate a quantity of trimesters (three months).
811	Half month To indicate a quantity of half months.
21E	DDHHMM-DDHHMM (GS1 Temporary Code) Format of period to be given in actual message without hyphen.
2475	Time reference code Code referencing a point in time.
1	Date of order Payment time reference is date of order.
2	Date of confirmation Payment time reference is date of confirmation.
3	Date of contract Payment time reference is date of contract.
5	Date of invoice Payment time reference is date of invoice.
6	Date of credit note Payment time reference is date of credit note.
7	Date of present document Payment time reference is date of present document.
8	Date of confirmation of order received Payment time reference is date of confirmation received.
9	Date invoice received Payment time reference is date of invoice received.
11	Date credit note received Payment time reference is date of credit note received.
12	Date present document received Payment time reference is date of present document received.
21	Date goods received by buyer Payment time reference is date when goods are received by buyer.
23	Date goods received by carrier Payment time reference is date when goods are received by carrier.
26	Date of arrival of transport Date the transport arrived at the agreed destination.
27	Date of outward frontier crossing Date the goods are crossing the border of the exporters country.

Used Codes

28	Date of inward frontier crossing Date the goods are crossing the border of the importers country.
29	Date of delivery of goods to establishments/domicile/site Date the goods are delivered at agreed place of destination.
52	Due date of negotiable instrument Date when the negotiable instrument is due for payment.
66	Specified date Date specified elsewhere.
67	Anticipated delivery date The date on which delivery is anticipated to take place.
68	Effective date The date on which an action or event becomes effective.
69	Invoice transmission date Payment time reference is the date of invoice transmission.
70	Date of issue of transport document(s) The date on which a transport document(s) is issued.
72	Payment date Date when a payment was made.
78	Customs clearance date (import) Date when goods clear Customs in the importing country.
79	Customs clearance date (export) Date when goods clear Customs in the exporting country.
80	Date of salary payment Date when a salary payment was made.
81	Date of shipment as evidenced by the transport document(s) Date of shipment as evidenced by the transport document(s).
83	Requested date of delivery Payment terms apply from the requested date of delivery.
83E	Period of exceptional situation (GS1 Temporary Code) Period of a situation that affects the normal contribution of the employee.
X10	Receipt of goods (GS1 Temporary Code)
3035	Party function code qualifier Code giving specific meaning to a party.
BY	Buyer Party to whom merchandise and/or service is sold.

Used Codes

DEQ	Shipper Party responsible for the shipment of goods.
DP	Delivery party (3144) Party to which goods should be delivered, if not identical with consignee. GS1 Description: Party to which goods should be delivered, if not the same as the buyer.
II	Issuer of invoice (3028) Party issuing an invoice.
PW	Despatch party (3282) Party where goods are collected or taken over by the carrier (i.e. if other than consignor).
3055	Code list responsible agency code Code specifying the agency responsible for a code list.
2	CEC (Commission of the European Communities) Generic: see also 140, 141, 142, 162. GS1 Description: Commission of the European Communities
3	IATA (International Air Transport Association) The airline industry's international organisation. GS1 Description: International Air Transport Association
5	ISO (International Organization for Standardization) International Organization of Standardization.
6	UN/ECE (United Nations - Economic Commission for Europe) United Nations Economic Commission for Europe.
7	CEFIC (Conseil Europeen des Federations de l'Industrie Chimique) EDI project for chemical industry.
8	EDIFICE Standardised electronic commerce forum for companies with interests in computing, electronics and telecommunications. GS1 Description: EDI Forum for companies with Interest in Computing and Electronics (EDI project for EDP/ADP sector).
9	GS1 GS1 (formerly EAN International), an organisation of GS1 Member Organisations, which manages the GS1 System. GS1 Description: GS1 International.

Used Codes

10	ODETTE Organization for Data Exchange through Tele-Transmission in Europe (European automotive industry project).
17	S.W.I.F.T. Society for Worldwide Interbank Financial Telecommunications s.c.
28	EDITEUR (European book sector electronic data interchange group) Code identifying the pan European user group for the book industry as an organisation responsible for code values in the book industry.
60	Assigned by national trade agency The code list is from a national agency.
65	GS1 France Organisation responsible for GS1 System in France.
68	GS1 Italy Organisation responsible for GS1 System in Italy.
83	US, National Retail Federation The National Retail Federation is the trade association for the general merchandise retailing industry. In addition to providing support and education services, they also maintain and publish standard colour and size codes for the retail industry.
84	DE, BRD (Gesetzgeber der Bundesrepublik Deutschland) German legislature.
86	Assigned by party originating the message Codes assigned by the party originating the message.
87	Assigned by carrier Codes assigned by the carrier.
88	Assigned by owner of operation Assigned by owner of operation (e.g. used in construction).
89	Assigned by distributor Codes assigned by a distributor.
90	Assigned by manufacturer Code assigned by the manufacturer.
91	Assigned by supplier or supplier's agent Codes assigned by a seller or seller's agent. GS1 Description: Code assigned by the supplier or supplier's agent.
92	Assigned by buyer or buyer's agent Codes assigned by a buyer or buyer's agent.
112	US, U.S. Census Bureau The Bureau of the Census of the U.S. Dept. of Commerce.

Used Codes

113	GS1 US Organisation responsible for GS1 System in the USA.
116	US, ANSI ASC X12 American National Standards Institute ASC X12.
131	DE, German Bankers Association German Bankers' Association.
136	GS1 UK Organisation responsible for GS1 System in the UK.
137	AT, Verband oesterreichischer Banken und Bankiers Austrian bankers association.
174	DE, DIN (Deutsches Institut fuer Normung) German standardization institute.
182	US, Standard Carrier Alpha Code (Motor) Organisation maintaining the SCAC lists and transportation operating in North America.
194	AU, AQIS (Australian Quarantine and Inspection Service) Australian Quarantine and Inspection Service.
200	GS1 Netherlands Organisation responsible for GS1 System in the Netherlands.
245	GS1 Denmark Organisation responsible for GS1 System in Denmark.
246	GS1 Germany Organisation responsible for GS1 System in Germany. GS1 Description: German representative of International Article Numbering association (GS1).
260	Ediel Nordic forum A code to identify Ediel Nordic forum, which is an organization standardizing the use of EDI between the participants in the Nordic power market.
281	GS1 Belgium & Luxembourg Organisation responsible for GS1 System in Belgium & Luxembourg.
286	SE, TCO (Tjänstemännen Central Organisation) The Swedish Confederation of Professional Employees.
294	GS1 Austria Organisation responsible for the GS1 System in Austria.
295	AU, Therapeutic Goods Administration Austrialian administration responsible for the regulation of therapeutic goods in Australia. EDIFACT

Used Codes

297	IT, Ufficio IVA Ufficio responsabile gestione partite IVA, Italy (Italian Institute issuing VAT registration numbers). EDIFACT
298	GS1 Spain Organisation responsible for the GS1 System in Spain.
316	GS1 Finland Organisation responsible for the GS1 system in Finland.
317	GS1 Brazil Organisation responsible for the GS1 system in Brazil.
324	GS1 Ireland Organisation responsible for the GS1 system in Ireland.
325	GS1 Russia Organisation responsible for the GS1 system in Russia.
326	GS1 Poland Organisation responsible for the GS1 system in Poland.
327	GS1 Estonia Organisation responsible for the GS1 system in Estonia.
376	PANTONE Color code controlling organisation
400	FAO (Food and Agriculture Organisation) Food and Agriculture Organisation of the United Nations.
CEN	Comite European de Normalisation (GS1 Temporary Code) Comite European de Normalisation.
PMS	Pantone Matching System (GS1 Temporary Code) Pantone Matching System.
RAL	DE, Deutsches Institut fuer Guetesicherung und Kennzeichnung (GS1 Temporary Code)
TGA	AU, Therapeutic Goods Administration (GS1 Temporary Code) Australian administration responsible for the regulation of therapeutic goods in Australia.
X5	IT, Ufficio IVA (GS1 Temporary Code) Ufficio responsabile gestione partite IVA, Italy (Italian Institute issuing VAT registration numbers).
X6	Assigned by logistics service provider (GS1 Temporary Code) Codes assigned by the logistics service provider.

Used Codes

ZZZ Mutually defined
 A code assigned within a code list to be used on an interim basis and as defined among trading partners until a precise code can be assigned to the code list.

3207 Country name code
 | Identification of the name of the country or other geographical entity as defined in ISO 3166-1.

Notes:
 | 1. Use ISO 3166-1 two alpha country code.

AD	ANDORRA
AE	UNITED ARAB EMIRATES
AF	AFGHANISTAN
AG	ANTIGUA AND BARBUDA
AI	ANGUILLA
AL	ALBANIA
AM	ARMENIA
AN	NETHERLANDS ANTILLES
AO	ANGOLA
AQ	ANTARCTICA
AR	ARGENTINA
AS	AMERICAN SAMOA
AT	AUSTRIA
AU	AUSTRALIA
AW	ARUBA
AZ	AZERBAIJAN
BA	BOSNIA AND HERZEGOVINA
BB	BARBADOS
BD	BANGLADESH
BE	BELGIUM
BF	BURKINA FASO
BG	BULGARIA
BH	BAHRAIN
BI	BURUNDI
BJ	BENIN

Used Codes

BM	BERMUDA
BN	BRUNEI DARUSSALAM
BO	BOLIVIA
BR	BRAZIL
BS	BAHAMAS
BT	BHUTAN
BV	BOUVET ISLAND
BW	BOTSWANA
BY	BELARUS
BZ	BELIZE
CA	CANADA
CC	COCOS (KEELING) ISLANDS
CD	CONGO, THE DEMOCRATIC REPUBLIC OF THE
CF	CENTRAL AFRICAN REPUBLIC
CG	CONGO
CH	SWITZERLAND
CI	COTE D'IVOIRE
CK	COOK ISLANDS
CL	CHILE
CM	CAMEROON
CN	CHINA
CO	COLOMBIA
CR	COSTA RICA
CU	CUBA
CV	CAPE VERDE
CX	CHRISTMAS ISLAND
CY	CYPRUS
CZ	CZECH REPUBLIC
DE	GERMANY
DJ	DJIBOUTI
DK	DENMARK
DM	DOMINICA
DO	DOMINICAN REPUBLIC

Used Codes

DZ	ALGERIA
EC	ECUADOR
EE	ESTONIA
EG	EGYPT
EH	WESTERN SAHARA
ER	ERITREA
ES	SPAIN
ET	ETHIOPIA
FI	FINLAND
FJ	FIJI
FK	FALKLAND ISLANDS (MALVINAS)
FM	MICRONESIA, FEDERATED STATES OF
FO	FAROE ISLANDS
FR	FRANCE
GA	GABON
GB	UNITED KINGDOM
GD	GRENADA
GE	GEORGIA
GF	FRENCH GUIANA
GH	GHANA
GI	GIBRALTAR
GL	GREENLAND
GM	GAMBIA
GN	GUINEA
GP	GUADELOUPE
GQ	EQUATORIAL GUINEA
GR	GREECE
GS	SOUTH GEORGIA AND THE SOUTH SANDWICH ISLANDS
GT	GUATEMALA
GU	GUAM
GW	GUINEA-BISSAU
GY	GUYANA
HK	HONG KONG

Used Codes

HM	HEARD ISLAND AND MCDONALD ISLANDS
HN	HONDURAS
HR	CROATIA
HT	HAITI
HU	HUNGARY
ID	INDONESIA
IE	IRELAND
IL	ISRAEL
IN	INDIA
IO	BRITISH INDIAN OCEAN TERRITORY
IQ	IRAQ
IR	IRAN, ISLAMIC REPUBLIC OF
IS	ICELAND
IT	ITALY
JM	JAMAICA
JO	JORDAN
JP	JAPAN
KE	KENYA
KG	KYRGYZSTAN
KH	CAMBODIA
KI	KIRIBATI
KM	COMOROS
KN	SAINT KITTS AND NEVIS
KP	KOREA, DEMOCRATIC PEOPLE'S REPUBLIC OF
KR	KOREA, REPUBLIC OF
KW	KUWAIT
KY	CAYMAN ISLANDS
KZ	KAZAKSTAN
LA	LAO PEOPLE'S DEMOCRATIC REPUBLIC
LB	LEBANON
LC	SAINT LUCIA
LI	LIECHTENSTEIN
LK	SRI LANKA

Used Codes

LR	LIBERIA
LS	LESOTHO
LT	LITHUANIA
LU	LUXEMBOURG
LV	LATVIA
LY	LIBYAN ARAB JAMAHIRIYA
MA	MOROCCO
MC	MONACO
MD	MOLDOVA, REPUBLIC OF
MG	MADAGASCAR
MH	MARSHALL ISLANDS
MK	MACEDONIA, THE FORMER YUGOSLAV REPUBLIC OF
ML	MALI
MM	MYANMAR
MN	MONGOLIA
MO	MACAU
MP	NORTHERN MARIANA ISLANDS
MQ	MARTINIQUE
MR	MAURITANIA
MS	MONTSERRAT
MT	MALTA
MU	MAURITIUS
MV	MALDIVES
MW	MALAWI
MX	MEXICO
MY	MALAYSIA
MZ	MOZAMBIQUE
NA	NAMIBIA
NC	NEW CALEDONIA
NE	NIGER
NF	NORFOLK ISLAND
NG	NIGERIA
NI	NICARAGUA

Used Codes

NL	NETHERLANDS
NO	NORWAY
NP	NEPAL
NR	NAURU
NU	NIUE
NZ	NEW ZEALAND
OM	OMAN
PA	PANAMA
PE	PERU
PF	FRENCH POLYNESIA
PG	PAPUA NEW GUINEA
PH	PHILIPPINES
PK	PAKISTAN
PL	POLAND
PM	SAINT PIERRE AND MIQUELON
PN	PITCAIRN
PR	PUERTO RICO
PS	PALESTINIAN TERRITORY, OCCUPIED
PT	PORTUGAL
PW	PALAU
PY	PARAGUAY
QA	QATAR
RE	REUNION
RO	ROMANIA
RS	SERBIA
RU	RUSSIAN FEDERATION
RW	RWANDA
SA	SAUDI ARABIA
SB	SOLOMON ISLANDS
SC	SEYCHELLES
SD	SUDAN
SE	SWEDEN
SG	SINGAPORE

Used Codes

SH	SAINT HELENA
SI	SLOVENIA
SJ	SVALBARD AND JAN MAYEN
SK	SLOVAKIA
SL	SIERRA LEONE
SM	SAN MARINO
SN	SENEGAL
SO	SOMALIA
SR	SURINAME
ST	SAO TOME AND PRINCIPE
SV	EL SALVADOR
SY	SYRIAN ARAB REPUBLIC
SZ	SWAZILAND
TC	TURKS AND CAICOS ISLANDS
TD	CHAD
TF	FRENCH SOUTHERN TERRITORIES
TG	TOGO
TH	THAILAND
TJ	TAJKISTAN
TK	TOKELAU
TM	TURKMENISTAN
TN	TUNISIA
TO	TONGA
TP	EAST TIMOR
TR	TURKEY
TT	TRINIDAD AND TOBAGO
TV	TUVALU
TW	TAIWAN, PROVINCE OF CHINA
TZ	TANZANIA, UNITED REPUBLIC OF
UA	UKRAINE
UG	UGANDA
UM	UNITED STATES MINOR OUTLYING ISLANDS
US	UNITED STATES

Used Codes

UY	URUGUAY
UZ	UZBEKISTAN
VA	HOLY SEE (VATICAN CITY STATE)
VC	SAINT VINCENT AND THE GRENADINES
VE	VENEZUELA
VG	VIRGIN ISLANDS, BRITISH
VI	VIRGIN ISLANDS, U.S.
VN	VIET NAM
VU	VANUATU
WF	WALLIS AND FUTUNA
WS	SAMOA
YE	YEMEN
YT	MAYOTTE
YU	YUGOSLAVIA
ZA	SOUTH AFRICA
ZM	ZAMBIA
ZW	ZIMBABWE

3227

Location function code qualifier
Code identifying the function of a location.

1	Place of terms of delivery (3018) Point or port of departure, shipment or destination, as required under the applicable terms of delivery, e.g. Incoterms.
---	---

3453

Language name code
Code specifying the language name.

Notes:
1. Use ISO 639-1988.

AA	Afar
AB	Abkhazian
AF	Afrikaans
AM	Amharic
AR	Arabic
AS	Assamese
AY	Aymara

Used Codes

AZ	Azerbaijani
BA	Bashkir
BE	Byelorussian
BG	Bulgarian
BH	Bihari
BI	Bislama
BN	Bengali; Bangla
BO	Tibetan
BR	Breton
CA	Catalan
CO	Corsican
CS	Czech
CY	Welsh
DA	Danish
DE	German
DZ	Bhutani
EL	Greek
EN	English
EO	Esperanto
ES	Spanish
ET	Esotonian
EU	Basque
FA	Persian
FI	Finnish
FJ	Fiji
FO	Faroese
FR	French
FY	Frisian
GA	Irish
GD	Scots Gaelic
GL	Galician
GN	Guarani
GU	Gujarati

Used Codes

HA	Hausa
HE	Hebrew
HI	Hindi
HR	Croatian
HU	Hungarian
HY	Armenian
IA	Interlingua
ID	Indonesian
IE	Interlingue
IK	Inupiak
IS	Icelandic
IT	Italian
IU	Eskimo, Inuktiut CA
JA	Japanese
JW	Javanese
KA	Georgian
KK	Kazakh
KL	Greenlandic
KM	Cambodian
KN	Kannada
KO	Korean
KS	Kashmiri
KU	Kurdish
KY	Kirghiz
LA	Latin
LN	Lingala
LO	Laothian
LT	Lithuanian
LV	Latvian, Lettish
MG	Malagasy
MI	Maori
MK	Macedonian
ML	Malayalam

Used Codes

MN	Mangolian
MO	Moldavian
MR	Marathi
MS	Malay
MT	Maltese
NA	Nauru
NE	Nepali
NL	Dutch
NO	Norwegian
OC	Occitan
OM	(Afan) Oromo
OR	Oriya
PA	Punjabi
PL	Polish
PS	Pashto, Pushto
PT	Portuguese
QU	Quechua
RM	Rhaeto-Romance
RN	Kirundi
RO	Romanian
RU	Russian
RW	Kinyarwanda
SA	Sanskrit
SD	Sindhi
SG	Sangho
SH	Serbo-Croatian
SI	Singhalese
SK	Slovak
SL	Slovenian
SM	Samoan
SN	Shona
SO	Somali
SQ	Albanian

Used Codes

SR	Serbian
SS	Siswati
ST	Sesotho
SU	Sundanese
SV	Swedish
SW	Sawahili
TA	Tamil
TE	Telugu
TG	Tajik
TH	Thai
TI	Tigrinya
TK	Turkmen
TL	Tagalog
TN	Setswana
TO	Tonga
TR	Turkish
TS	Tsonga
TT	Tatar
TW	Twi
UG	Uigur
UK	Ukrainian
UR	Urdu
UZ	Uzbek
VI	Vietnamese
VO	Volapük
WO	Wolof
YI	Yiddish
YO	Yoruba
ZA	Zhuang
ZH	Chinese
ZU	Zulu

Used Codes

4053	<p>Delivery or transport terms description code Code specifying the delivery or transport terms.</p> <p>Notes: 1. Recommend use UN/ECE Recommendation No. 5 Incoterms 1990. If directory codes or Recommendation No. 5 codes are not applicable, use appropriate code set in combination with 1131/3055.</p>
01E	<p>Contact delivery party before delivery (GS1 Temporary Code) Indication that the delivery party should be contacted before delivery.</p>
02E	<p>Despatch goods urgent delivery (GS1 Temporary Code) Requests that the goods be despatched urgently.</p>
03E	<p>Special delivery conditions (GS1 Temporary Code) Indication that the delivery is subject to special conditions agreed between the trading partners.</p>
04E	<p>Cash on delivery (GS1 Temporary Code) Indication that the delivery is subject to cash on delivery conditions.</p>
CFR	<p>Cost & Freight GS1 Description: The risk is transferred when the goods have effectively passed the ship's rail at the port of shipment. Insurance to be covered by the buyer.</p>
CIF	<p>Cost, Insurance, Freight to named destination GS1 Description: The risk is transferred when the goods have effectively passed the ship's rail at the port of shipment. Insurance to be covered by the seller.</p>
CIP	<p>Freight, Carriage, Insurance to destination GS1 Description: The risk is transferred when the goods are taken into custody by the first carrier. Insurance to be covered by the seller.</p>
CPT	<p>Freight, Carriage paid to destination GS1 Description: The risk is transferred when the goods are taken into custody by the first carrier who has undertaken transportation from the place of departure. Insurance to be covered by the buyer.</p>
DAF	<p>Delivery at frontier - Named place GS1 Description: The risk is transferred when the goods are put at the disposal of the buyer at the named place at frontier. Insurance to be covered by the seller.</p>
DDP	<p>Delivered duty paid to destination GS1 Description: The risk is transferred when the goods are put at the disposal of the buyer at the named place. Duty is paid. Insurance to be covered by the seller.</p>
DDU	<p>Delivered duty unpaid GS1 Description: The risk is transferred when the goods are put at the disposal of the buyer at the named place. Duty is not paid. Insurance to be covered by the seller.</p>

Used Codes

DEQ	Delivered Ex Quay - Duty paid, Named port GS1 Description: The risk is transferred when the goods have been effectively put at the disposal of the buyer on the quay at the port of destination. Insurance to be covered by the seller.
DES	Delivered Ex ship - Named port of destination GS1 Description: The risk is transferred when the goods have been effectively put at the disposal of the buyer on board the ship at the port of destination. Insurance to be covered by the seller.
EXW	Ex works GS1 Description: The risk is transferred when the goods are put at the disposal of the buyer according to the terms of the agreement. Insurance to be covered by the buyer.
FAS	Free alongside ship GS1 Description: The risk is transferred when the goods have been effectively delivered alongside the ship at the named port of shipment. Insurance to be covered by the buyer.
FCA	Free carrier - Named point GS1 Description: The risk is transferred when the goods are taken into custody of the carrier at the time and named point mentioned in the contract. Insurance to be covered by the buyer (the seller to the named point).
FOA	FOB Airport - Named airport of departure
FOB	Free on Board - Named port of shipment GS1 Description: The risk is transferred when the goods have effectively passed the ship's rail at the port of shipment. Insurance to be covered by the buyer.
FOR	Free on Rail - Named departure point
RDN	Return the delivery note signed by the goods recipient (GS1 Temporary Code) Indication that the delivery note has to be returned signed by the goods recipient.
RPD	Return the number of the "proof of delivery" generated by the goods recipient has to be returned (GS1 Temporary Code) Indication that the number of the "proof of delivery" generated by the goods recipient has to be returned.
SD	Shipment of order split over more than one means of transport (GS1 Temporary Code) Shipment of an order has been split over more than one means of transport.
4055	Delivery or transport terms function code Code specifying the function of delivery or transport terms.

Used Codes

5 Transport condition
Specifies the conditions under which the transport takes place under the responsibility of the carrier.

4233 Marking instructions code
Code specifying instructions for marking.

1 Do not mark supplier's company name
Packaging should not be marked with supplier's company name.

2 Mark customer's company name
Packaging should be marked with customer's company name.

3 Mark customer's references
Packaging should be marked with customer's references.

4 Mark additionally customer's article description
Packaging should also be marked with customer's article description.

5 Mark exclusively customer's article description
Packaging should be marked with customer's article description only.

6 Mark packages dimensions
Packaging should be marked with package's dimensions.

7 Mark net weight
Packaging should be marked with net weight.

8 Mark gross weight
Packaging should be marked with gross weight.

9 Mark tare weight
Packaging should be marked with tare weight.

10 Mark batch number
Packaging should be marked with batch number.

11 Mark article number customer
Packaging should be marked with customer's article number.

12 Mark running number of packages
Packaging should be marked with the running number of packages.

13 Mark date of production
Packaging should be marked with the date of production.

14 Mark expiry date
Packaging should be marked with the expiry date.

15 Mark supplier number
Packaging should be marked with the supplier number.

Used Codes

16	Buyer's instructions Markings as specified by the buyer.
17	Supplier's instructions Markings as specified by the seller. GS1 Description: Markings as specified by the supplier.
18	Carrier's instructions Markings as specified by carrier.
19	Legal requirements Markings as specified by law.
20	Industry instructions Markings as specified by industry.
30	Mark serial shipping container code Requests the marking of the serial shipping container code to the transport container or packaging.
32	Mark date of packaging Packaging must be marked with the packaging date.
33	Mark reference to source entity Packaging must be marked with the reference to source entity. The reference to source identifies that the trade item was derived from.
34	Marked GS1 Global Individual Asset Identifier Indication that the GS1 Global Individual Asset Identifier has been marked on the package.
35	Marked with a product serial number Indication that the product serial number has been marked on a package.
31E	Mark price (GS1 Temporary Code) Coded instruction that the price be marked on a package.
32E	Mark GS1 number (GS1 Temporary Code) Coded instruction that the GS1 number be marked on a package.
33E	Marked with serial shipping container code (GS1 Temporary Code) Indication that the serial shipping container code has been marked on a package.
34E	Marked with GS1 number (GS1 Temporary Code) Indication that the GS1 number has been marked on a package.
35E	Marked with first freezing date (GS1 Temporary Code) Indication that the first freezing date has been marked on the package.
36E	Marked with batch number (GS1 Temporary Code) Indication that the batch number has been marked on a package.

Used Codes

37E	Marked with production/manufacturing date (GS1 Temporary Code) Indication that the production/manufacturing date has been marked on a package.
38E	Marked with expiry date (GS1 Temporary Code) Indication that the expiry date has been marked on a package.
39E	Marked with best before date (GS1 Temporary Code) Indication that the best before date has been marked on a package.
40E	Marked with unit net weight (GS1 Temporary Code) Indication that the net unit weight has been marked on a package.
41E	Marked with packaging date (GS1 Temporary Code) Indication that the packaging date has been marked on a package.
41G	Marked with GS1 Global Returnable Asset Identifier (GS1 Temporary Code) Indication that the GS1 Global Returnable Asset Identifier has been marked on the package.
IEN	Package Identity Number (GS1 Temporary Code) Number uniquely identifying a package.
X26	Not marked with an GS1 code (GS1 Temporary Code) Indication that the package is not marked with an GS1 code.
X27	Marked with a greeting message (GS1 Temporary Code) Package should be marked with greeting message
X28	GINC (GS1 Temporary Code) Global Identification Number for Consignment
X29	GSIN (GS1 Temporary Code) Global Shipment Identification Number

4277 Payment terms description identifier
Identification of the terms of payment between the parties to a transaction (generic term).

Notes:

1. Recommend use UN/ECE Recommendation No. 17 Payterms.

1	Draft(s) drawn on issuing bank Draft(s) must be drawn on the issuing bank.
2	Draft(s) drawn on advising bank Draft(s) must be drawn on the advising bank.
3	Draft(s) drawn on reimbursing bank Draft(s) must be drawn on the reimbursing bank.
4	Draft(s) drawn on applicant Draft(s) must be drawn on the applicant.

Used Codes

5	Draft(s) drawn on any other drawee Draft(s) must be drawn on any other drawee.
6	No drafts No drafts required.
ZZZ	Mutually defined (GS1 Temporary Code) A code identifying mutually defined payment terms.
4279	Payment terms type code qualifier Code qualifying the type of payment terms.
3	Fixed date Payments are due on the fixed date specified.
4347	Product identifier code qualifier Code qualifying the product identifier.
1	Additional identification Information which specifies and qualifies product identifications.
4441	Free text value code Code specifying free form text.
IGL	= Delivery within the EU community
ST1	= Fee reduction applies, due to discount and bonus agreements.
ST2	= Fee reduction applies, due to our current business terms.
ST3	= Discount or bonus agreements apply.
4451	Text subject code qualifier Code qualifying the subject of the text.
AAK	Price conditions Information on the price conditions that are expected or given.
REG	Regulatory information The free text contains information for regulatory authority.
4453	Free text function code Code specifying the function of free text.
1	Text for subsequent use The occurrence of this text does not affect message processing.
5025	Monetary amount type code qualifier Code qualifying the type of monetary amount.

Used Codes

77	Invoice amount [5068] Total sum charged in respect of a single Invoice in accordance with the terms of delivery.
79	Total line items amount The sum of all the line item amounts.
124	Tax amount Tax imposed by government or other official authority related to the weight/volume charge or valuation charge.
125	Taxable amount Amount on which a tax has to be applied. GS1 Description: The monetary amount liable to tax.
203	Line item amount Goods item total minus allowances plus charges for line item. See also Code 66.
5125	Price code qualifier Code qualifying a price. Notes: 1. The code set from data element 5387 may also be used as agreed among trading partners.
1E	Calculation net - including taxes (GS1 Temporary Code) The price stated is the net price including all allowances and charges, and including taxes. Allowances and charges may be stated for information purposes only.
AAA	Calculation net The price stated is the net price including allowances/ charges. Allowances/ charges may be stated for information only. GS1 Description: The price stated is the net price including allowances/ charges and excluding taxes. Allowances/charges may be stated for information only.
AAB	Calculation gross The price stated is the gross price to which allowances/charges, if valid, must be applied. GS1 Description: The price stated is the gross price excluding all allowances, charges and taxes. Allowances and charges must be stated and used for net calculation purposes.
AAE	Information price, excluding allowances or charges, including taxes The price stated is for information purposes only and excludes all allowances and charges. Taxes however are included in the price.
AAF	Information price, excluding allowances or charges and taxes The price stated is for information purposes only and excludes all allowances, charges and taxes.

Used Codes

AAH	Subject to escalation and price adjustment Subject to increase or development by successive stages and price adjustment.
AAQ	Firm price Price which will remain unchanged for a given time period.
ABL	Base price The base price of a product or service.
ABM	Base price difference The difference in price against a base price.
CAL	Calculation price The price stated is the price for the calculation of the line item amount.
INF	Information The price is provided for information.
5153	Duty or tax or fee type name code Code specifying a type of duty, tax or fee.
VAT	Value added tax A tax on domestic or imported goods applied to the value added at each stage in the production/distribution cycle.
5273	Duty or tax or fee rate basis code Code specifying the basis for a duty or tax or fee rate.
1	Value (5316) To specify that the applicable rate of duty, tax or fee is based on the Customs value (CCC).
2	Weight (6150) To specify that the applicable rate of duty, tax or fee is based on the weight of the item (CCC).
3	Quantity (6060) To specify that the applicable rate of duty, tax or fee is based on the quantity of the item (CCC).
5283	Duty or tax or fee function code qualifier Code qualifying the function of a duty or tax or fee.
7	Tax Contribution levied by an authority.
5305	Duty or tax or fee category code Code specifying a duty or tax or fee category.

Used Codes

A	Mixed tax rate Code specifying that the rate is based on mixed tax. GS1 Description: Transaction includes item taxed at different rates.
AA	Lower Rate Tax rate is lower than standard rate.
AC	Value Added Tax (VAT) not now due for payment A code to indicate that the Value Added Tax (VAT) amount which is due on the current invoice is to be paid on receipt of a separate VAT payment request. GS1 Description: The value added tax is not due for payment now.
AE	VAT Reverse Charge Code specifying that the standard VAT rate is levied from the invoicee. GS1 Description: Code specifying that the rate is based upon the reverse charge VAT treatment which is always standard rate tax.
C	Duty paid by supplier Duty associated with shipment of goods is paid by the supplier; customer receives goods with duty paid.
D	Value Added Tax (VAT) margin scheme - travel agents Indication that the VAT margin scheme for travel agents is applied.
E	Exempt from tax Code specifying that taxes are not applicable. GS1 Description: All items in the transaction or a specific line item are exempt from tax.
F	Value Added Tax (VAT) margin scheme - second-hand goods Margin scheme for second-hand goods.
G	Free export item, tax not charged Indication that the VAT margin scheme for second-hand goods is applied.
H	Higher rate Code specifying a higher rate of duty or tax or fee. GS1 Description: All items in the transaction or a specific line item are taxed at the higher rate of tax.
I	Value Added Tax (VAT) margin scheme - works of art Indication that the VAT margin scheme for works of art is applied.
J	Value Added Tax (VAT) margin scheme - collector's items and antiques Indication that the VAT margin scheme for collector's items and antiques is applied.
O	Services outside scope of tax Code specifying that taxes are not applicable to the services.

Used Codes

S	Standard rate Code specifying the standard rate. GS1 Description: All items in the transaction or a specific line item are taxed at the standard rate of tax.
Z	Zero rated goods Code specifying that the goods are at a zero rate. GS1 Description: All items in the transaction or a specific line item are zero tax rated.
5375	Price type code Code specifying the type of price.
AE	Range dependent price A code identifying the price for a specific range of purchase quantities.
CA	Catalogue Code specifying the catalogue price. GS1 Description: The price detailed is the price detailed in the currently referenced catalogue.
CT	Contract Code specifying the contract price. GS1 Description: The price detailed is the price detailed in the currently referenced contract.
DI	Distributor Code specifying the distributor price.
5387	Price specification code Code identifying pricing specification.
AAB	Price includes tax Code specifying that the price is inclusive of tax.
AAC	Buyer suggested retail price The suggested retail price as suggested or determined by the party purchasing the goods.
AAE	Not subject to fluctuation Not subject to escalation or adjustment.
AAF	Subject to escalation Subject to increase or development by successive stages.
AAG	Subject to price adjustment Code specifying that the price is subject to adjustment.
AAK	New price A price valid from an effective date/time/period.

Used Codes

AAL	Old price A price valid prior to an effective date/time/period of a new price.
ABA	Individual buyer price A price which is available to an individual buyer as opposed to an institutional buyer.
ABB	Group buying price A price which is available to a buying group.
ABC	Group member buying price A special price given to a member of a buying group.
ABD	Pre-payment price A special price if pre-payment is made for the article ordered.
ABE	Retail price - excluding taxes Retail price not including any applicable taxes.
ABF	Suggested retail price - excluding taxes Suggested retail price not including any applicable taxes.
ABH	Statutory minimum retail price The legal minimum retail price. EDIFACT
ABM	Base price difference The difference in price against a base price. GS1 Description: The difference in price between the price of a base article in a Customer Specific Article (CSA) and the price of a component part of the CSA configuration.
ALT	Alternate price A substitute cost.
AMP	Agreed minimum retail price (GS1 Temporary Code) The agreed minimum retail price for an article.
AP	Advice price Code specifying an advice price.
BAP	Base article price (GS1 Temporary Code) The price of a base article in a Customer Specific Article.
CP	Current price Price at time of transaction, but subject to future change.
CU	Consumer unit Code specifying that the price is based on consumer unit.
DAP	Dealer adjusted price The necessary or desirable changes that the sales agency makes with respect to the value of the product.

Used Codes

DIS	Distributor price The cost associated with the agency that markets goods.
DPR	Discount price A reduction from the usual list value.
DR	Dealer price Code specifying a dealer price. GS1 Description: Price associated with the dealer of the product.
ES	Estimated price Code specifying an estimated price. GS1 Description: An estimated price of the product which will later be confirmed.
EUP	Expected unit price The anticipated value of a single item.
GRP	Gross unit price Unit price to which allowances and charges apply.
INV	Invoice price Price per unit of quantity of a product as specified on an invoice.
LBL	Labelling price Retail price of the buyer that should be printed by the producer on the article's label. The labelling price is not necessary the effective retail price.
LIU	List price (GS1 Temporary Code) Regular list price (no promotions or special discounts applied).
MAX	Maximum order quantity price The greatest amount of goods or services which one can buy to receive a certain value.
MIN	Minimum order quantity price The least amount of goods or services that one can buy to receive a certain value.
MRP	Marked retail price (GS1 Temporary Code) The retail price of a product which has been marked on the products packaging.
NE	Not-to-exceed price Code specifying a price that cannot be increased. GS1 Description: A price which is not to be exceeded.
NTP	Net unit price Unit price to which no allowances and charges apply.
PPD	Prepaid freight charges The cost of shipping is paid before the goods are shipped.

Used Codes

PPR	Provisional price Price per unit of quantity of a product as provisionally agreed.
PRP	Promotional price The value that is placed on an item that is being developed. The idea is to sell this product for less than one normally would, and make up for it by selling a larger quantity.
QTE	Quote price Price per unit of quantity of a product as specified in a quote.
RTP	Retail price Price per unit of quantity of a product to be used for retail.
SMP	Statutory minimum price (GS1 Temporary Code) The minimum retail price determined by law.
SRP	Suggested retail price Price per unit of quantity of a product suggested for retail.
TU	Traded unit Code specifying a traded unit price.
6063	Quantity type code qualifier Code qualifying the type of quantity.
47	Invoiced quantity The quantity as per invoice.
6069	Control total type code qualifier Code qualifying the type of control of hash total.
7	Total gross weight Code to indicate total gross weight of a consignment.
6311	Measurement purpose code qualifier Code qualifying the purpose of the measurement.
PD	Physical dimensions (product ordered) Specified measurement dimensions refer to physical dimensions of a product, material or package. GS1 Description: The restriction 'product ordered' can be ignored.
6313	Measured attribute code Code specifying the attribute measured.
A	Consolidated weight The measured consolidated weight.

Used Codes

AAA	Unit net weight GS1 Description: Weight (mass) of the goods without any packing.
AAB	Unit gross weight [6292] Weight (mass) of goods including packing but excluding the carrier's equipment.
AAC	Total net weight Total weight of goods excluding packaging. GS1 Description: "Total" in this code means the sum of the net weight of all items.
AAD	Total gross weight [6292] Weight (mass) of goods including packing but excluding the carrier's equipment. GS1 Description: "Total" in this code means the sum of the gross weight of all items.
AAJ	Number of units per pallet The number of units contained on a pallet. GS1 Description: An indication of the number of units on a loaded pallet. The value associated with this code is calculated by multiplying the number of units per layer by the number of layers on a pallet.
AAK	Fat content An indication of the fat content of a product.
AAL	Net weight GS1 Description: Weight (mass) of goods excluding packaging. GS1 usage note: The field of implementation of this code is the area of transport and related activities such as the preparation of goods into consignments for shipping.
AAO	Humidity Self-explanatory.
AAP	Voltage Self-explanatory.
AAQ	Power consumption Value of energy consumption.
AAR	Heat dissipation Self-explanatory.
AAU	Operative temperature Temperature identified system or process works according to specifications.

Used Codes

AAW	Gross volume The observed volume unadjusted for factors such as temperature or gravity. GS1 Description: The usage of this code relates to the contents, e.g. gases or liquids that expand/contract under given circumstances.
AAX	Net volume The observed volume after adjustment for factors such as temperature or gravity. GS1 Description: The usage of this code relates to the contents, e.g. gases or liquids that expand/contract under given circumstances.
AAY	Water content Water content in product.
ABF	Item width when unrolled The width of an item when unrolled.
ABG	Item length when unrolled The length of an item when unrolled.
ABH	Item area when unrolled The area occupied by an item when unrolled.
ABI	Original wort Measure of the malt and hops content of beer, before fermentation has taken place.
ABJ	Volume The amount of air space taken up by the entity identified in the 6311 qualifier. GS1 Description: The usage of this code relates to the cube of air that the package takes up.
ABK	Angle The angle of an object. EDIFACT
ABL	Peg hole horizontal distance from package leftmost edge Horizontal distance from the left most edge of the package to the center of the hole into which the peg is inserted. EDIFACT
ABM	Peg hole vertical distance from top Vertical distance from the top of the package to the top of the hole into which the peg is inserted. EDIFACT
ABO	Product strength, chemical The amount of the single active chemical ingredient within a product. EDIFACT

Used Codes

ABP	Product strength basis, chemical Amount of product used as the basis for the specification of the chemical product strenght. EDIFACT
ABQ	Percentage of alcohol (by volume) The percentage of alcohol contained in a liquid.
ACG	Chargeable weight The weight on which charges are based.
ACN	Estimated gross weight Estimated weight (mass) of goods, including packing and excluding carrier's. GS1 Description: Estimated gross weight (mass) of goods, including packing and excluding carrier's equipment.
ACP	Estimated volume Estimated size or measure of anything in three dimensions. GS1 Description: The usage of this code relates to the cube of air that the package takes up.
ACV	Loading meters The length in a vehicle, whereby the complete width and height over that length is needed for the goods.
ADJ	Surface (GS1 Temporary Code) A measurement in relation a surface.
ADX	Transport container actual filling weight Actual filling weight of a transport container.
ADY	Transport container maximum capacity Maximum capacity of a transport container.
ADZ	Declared net weight The declared net weight of a product or products used for invoicing, customs or transport purposes. GS1 Description: The field of implementation of this code is the area of transport and/or customs.
AEA	Loading height Maximum height of products or packages loaded onto a given transportation device or equipment such as a pallet.
AEB	Stacking height Maximum height up to which the same product or package may be placed one upon the other for storage purposes.
AEI	Drained weight The weight of a product when all liquids used in the packaging of the product have been removed.

Used Codes

AEV	<p>Acidity of juice</p> <p>Acid measurement of juice.</p> <p>GS1 Description: Acid number of juice of fruit measured with pH = 8.2.</p>
AEW	<p>Penetrometry</p> <p>Measurement of force required to drive a standard penetrating stamp.</p>
AEX	<p>Durofel</p> <p>Measurement of the elastic force using a standard penetrating stamp.</p> <p>GS1 Description: Measure of the elastic force of the pulp of a fruit. This is measured with a penetrating stamp and expressed as a percentage.</p>
AEY	<p>Juice weight per 100 grams</p> <p>Measurement of weight of juice, based on 100 grams of the entire weight.</p> <p>GS1 Description: Weight of juice, based on 100 grams of the entire fruit, expressed as a percentage.</p>
AEZ	<p>Fruit skin colour</p> <p>Measurement of the colouring of the epidermis of a fruit.</p> <p>GS1 Description: Colouring of the epidermis of a fruit measured with comparators. It indicates the maturity of the fruit or its commercial quality.</p>
AFB	<p>Durofel D10</p> <p>Measure of the elastic force of the pulp of a fruit. It is measured with a penetrating stamp with diameter 10.</p> <p>GS1 Description: Measure of the elastic force of the pulp of a fruit. It is measured with a penetrating stamp with diameter 10. This measure is expressed as a percentage.</p>
AFC	<p>Durofel D25</p> <p>Measure of the elastic force of the pulp of a fruit. It is measured with a penetrating stamp with diameter 25.</p> <p>GS1 Description: Measure of the elastic force of the pulp of a fruit. It is measured with a penetrating stamp with diameter 25. This measure is expressed as a percentage.</p>
AFD	<p>Durofel D50</p> <p>Measure of the elastic force of the pulp of a fruit. It is measured with a penetrating stamp with diameter 50.</p> <p>GS1 Description: Measure of the elastic force of the pulp of a fruit. It is measured with a penetrating stamp with diameter 50. This measure is expressed as a percentage.</p>
AFE	<p>Maximum stacking weight</p> <p>The maximum weight which may be stacked upon a product or package without the product or packaging being crushed.</p>

Used Codes

AFF	Gross measure cube The total cubic space occupied by an item, taking into account any protruding components, arrived at by multiplying the maximum length, width and height.
AFG	Percentage fat content in dry matter The percentage of fat content in dry matter.
AFH	Saccharometric content Measurement of the sugar content of a solution. EDIFACT
AFI	Hydrate content of an alcoholic product after bottling The hydrate content which occurs in an alcoholic product after bottling.
AFJ	Anhydrous content The non-water content. GS1 Description: Anhydrous content of an alcoholic product.
AFT	Colour depth The number of distinct colours represented, e.g. in an image or in a display.
AFU	Colour depth, maximum The maximum number of distinct colours that can be represented, e.g. in an image or in a display.
AFV	Image resolution The level of detail of an image.
AFW	Device resolution, maximum The maximum level of detail produced by a device.
AFX	Acoustic absorption coefficient The portion of sound energy a surface absorbs, measured at different frequencies.
BNU	Peg hole number Used to identify the peg hole if more than one hole is present in the product or packaging.
BNV	Number of inner packs Indicates the number of non coded physical groupings (inner packs) of next lower level trade items within the current trade item level.
BNW	Number of next level trade items within inner pack The number of next lower level trade items contained within the physical non-coded grouping (inner pack).
BNX	Number of trade items per pallet layer The number of trade items contained on a single layer of a pallet.
BNY	Packed items layer Height The height of a single layer of packed items.

Used Codes

BNZ	<p>Packing material weight, skin tight covering</p> <p>The weight measurement of the packing material used for skin tight covering (e.g. when packaging prepared meats, poultry, cheese, and other food products).</p>
BRB	<p>Components labelled for recycling percentage</p> <p>Percentage of trade item components that clearly label how to facilitate product disassembly and recycling.</p>
BRC	<p>Renewable plastic components percentage, by net weight</p> <p>The percentage of the plastic components only made from rapidly renewable plant-based material by net weight of product.</p>
BRD	<p>Clamp pressure, required</p> <p>The pressure that should be applied by a clamp.</p>
BUP	<p>Number of base units per pallet (GS1 Temporary Code)</p> <p>The number of base units contained in a pallet.</p>
CF1	<p>Colony forming Unit (GS1 Temporary Code)</p> <p>Micro-organism colonies that are to be counted under determined conditions.</p>
CT	<p>Contents of package</p> <p>In combination with the other data elements of the actual segment this code indicates the measured content of a package.</p>
DBX	<p>Degree BRIX (GS1 Temporary Code)</p> <p>The rate of sugar.</p>
DI	<p>Diameter</p> <p>Diameter of an article.</p>
DLL	<p>Diluted liquid (GS1 Temporary Code)</p> <p>The volume of liquid which results after a dilution agent has been added, e.g. undiluted orange juice of 200ml, after dilution with water the volume of diluted liquid equals 1 litre.</p>
DN	<p>Density</p> <p>The measured density.</p>
DP	<p>Depth</p> <p>The measured depth.</p>
ENE	<p>Energy efficiency (GS1 Temporary Code)</p> <p>A measurement of the energy efficiency of an article.</p>
G	<p>Gross weight</p> <p>[6292] Weight (mass) of goods including packing but excluding the carrier's equipment.</p> <p>GS1 Description: The field of implementation of this code is the area of transport and related activities such as the preparation of goods into consignments for shipping.</p>

Used Codes

HT	Height dimension Numeric value of height.
HYE	Hydrate content (GS1 Temporary Code) Hydrate content of an alcoholic product.
ID	Inside diameter The measured inside diameter. GS1 Description: A measurement of the inside diameter of a roll, tube, pipe, or circle.
LAY	Number of layers (GS1 Temporary Code) Number of layers of a product or products within a package, container, pallet, etc. GS1 Description: Number of layers of a product or products within a package, container, pallet, etc.
LN	Length dimension (6168) Length of pieces or packages stated for transport purposes.
MDM	Maximum demand (GS1 Temporary Code) The highest demand recorded during the period of recording of usage of the supply.
NPL	Number of layers per pallet (GS1 Temporary Code) The number of layers per pallet.
NPP	Number of pallet places (GS1 Temporary Code) The number of pallet places needed to store or transport pallets (can be stacked).
OD	Outside diameter The measured outside diameter. GS1 Description: A measurement of the outside diameter of a roll, tube, pipe, or circle.
PMC	Package net measurement cube (GS1 Temporary Code) An indication of the net cubed measurement of a package.
PWF	Power factor (GS1 Temporary Code) The ration of the power dissipated (active power in kW) to the total power (which is the product of the input volts times amps given in kVa). When equipment which uses reactive power is being operated the power factor will be less than one.
RA	Relative humidity The measured relative humidity.
RJ	Rockwell C Hardness in the Rockwell C scale.

Used Codes

SAA	Product strength (GS1 Temporary Code) Product strength expressed as the absolute value of the active ingredient's amount.
SCC	Saccharometric content (GS1 Temporary Code) Saccharometric content of an alcoholic product.
SF	Stacking factor excluding bottom item (GS1 Temporary Code) Maximum number of items stackable upon each other, excluding the bottom item.
SPG	Specific gravity (GS1 Temporary Code)
SPV	Product strength basis (GS1 Temporary Code) Product measurement basis that contains the product strength.
SSZ	Step size (GS1 Temporary Code) An indication of measurements in which options contained within a Customer Specific Article are available, e.g. 10 metre planks of wood may be sold in step sizes of 2 metres.
T	Tare weight Weight excluding goods and loose accessories.
TC	Temperature A measurement in relation to temperature.
TH	Thickness The measured thickness.
TN	Time period Measurement of a specific length of time.
UCO	Units per package (GS1 Temporary Code) The number of identified units per package.
ULY	Number of units per layer (GS1 Temporary Code) Number of units of a product or package within one layer of a package, container, pallet, etc.
WD	Width dimension Numeric value of width.
WRM	Weight per running metre (GS1 Temporary Code) A code used to indicate the weight per running metre of floor coverings over floor area.
WSM	Weight per square metre (GS1 Temporary Code) A code used to indicate the weight per square metre of floor coverings over floor area.
X01	Acidity of meat (1 hour after slaughtering) The meat's acid quality or condition expressed as a pH value measured 1 hour after slaughtering.

Used Codes

X02	Acidity of meat (12 hours after slaughtering) The meat's acid quality or condition expressed as a pH value measured 12 hours after slaughtering.
X03	Acidity of meat (24 hours after slaughtering) The meat's acid quality or condition expressed as a pH value measured 24 hours after slaughtering.
X04	Acidity of meat (36 hour(s) after slaughtering) The meat's acid quality or condition expressed as a pH value measured 36 hours after slaughtering.
X05	Acidity of meat (48 hour(s) after slaughtering) The meat's acid quality or condition expressed as a pH value measured 48 hours after slaughtering.
X11	Angle (GS1 Temporary Code) The angle of an object.
X12	Area (GS1 Temporary Code) The area occupied by an item.
X13	Acidity of meat (GS1 Temporary Code) The meat's acid quality or condition expressed as a pH value.
X16	Slaughtering weight (GS1 Temporary Code) Warm weight after slaughter
X17	Stacking factor including bottom item (GS1 Temporary Code) Maximum number of items stackable upon each other, including the bottom item.
X1E	Number of units in the width of a layer (GS1 Temporary Code) Number of units of a product or package which make up the width of a layer in a package, container, pallet, etc.
X2E	Number of units in the depth of a layer (GS1 Temporary Code) Number of units of a product or package which make up the depth of a layer in a package, container, pallet, etc.
X6E	Nestable percentage (GS1 Temporary Code) Extent expressed as a percentage to which an item can be nested within an identical item.
X7E	Gross weight including carrier's equipment (GS1 Temporary Code) Weight (mass) of goods including packaging and the carrier's equipment. In this context 'carrier's equipment' means any material resources necessary to facilitate the transport and handling of the goods without having the ability to move by its own propulsion, e.g. pallet, container, etc. GS1 usage Note The field of implementation of this code is the area of transport and related activities such as the preparation of goods into consignments for shipping.

Used Codes

X8E	Peg hole horizontal distance from package leftmost edge (GS1 Temporary Code) Horizontal distance from the left most edge of the package to the center of the hole into which the peg is inserted.
X9E	Peg hole vertical distance from top (GS1 Temporary Code) Vertical distance from the top of the package to the top of the hole into which the peg is inserted.
ZWA	Waste content The measured waste content.

6321

Measurement significance code
Code specifying the significance of a measurement.

3	Approximately The measurement is approximately equal to that specified.
4	Equal to The measurement is equal to that specified.
5	Greater than or equal to The measurement is greater than or equal to that specified.
6	Greater than The measurement is greater than that specified.
7	Less than The measurement is less than that specified.
8	Less than or equal to The measurement is less than or equal to that specified.
12	True value The measurement reported is a true value.

6343

Currency type code qualifier
Code qualifying the type of currency.

4	Invoicing currency The name or symbol of the monetary unit used for calculation in an invoice.
11	Payment currency The name or symbol of the monetary unit used for payment.

6345

Currency identification code
Code specifying a monetary unit.

Notes:
1. Use ISO 4217 three alpha code.

ADP	Andorran Peseta
-----	-----------------

Used Codes

AED	UAE Dirham
AFA	Afghani
ALL	Lek
AMD	Armenian Dram
ANG	Netherlands Antillian Guilder
AOA	Kwanza
AOK	Kwanza
ARA	Austral
ARS	Argentine Peso
ATS	Schilling
AUD	Australian Dollar
AWG	Aruban Guilder
AZM	Azerbaijani Manat
BAM	Convertible Mark
BBD	Barbados Dollar
BDT	Taka
BEC	Belgian Franc (convertible)
BEF	Belgian Franc
BEL	Belgian Franc (financial)
BGL	Lev
BGN	Bulgarian Lev
BHD	Bahraini Dinar
BIF	Burundi Franc
BMD	Bermudian Dollar (customarily: Bermuda Dollar)
BND	Brunei Dollar
BOB	Boliviano
BOV	Mvdol
BRC	Cruzado
BRL	Brazilian Real
BSD	Bahamian Dollar
BTN	Ngultrum
BUK	Kyat
BWP	Pula

Used Codes

BYB	Belarussian Ruble
BYR	Belarussian Ruble
BZD	Belize Dollar
CAD	Canadian Dollar
CDF	Franc Congolais
CHF	Swiss Franc
CLF	Unidades de Formento
CLP	Chilean Peso
CNY	Yuan Renminbi
COP	Colombian Peso
CRC	Costa Rican Colon
CUP	Cuban Peso
CVE	Cape Verde Escudo
CYP	Cyprus Pound
CZK	Czech Koruna
DEM	Deutsche Mark
DJF	Djibouti Franc
DKK	Danish Krone
DOP	Dominican Peso
DZD	Algerian Dinar
ECS	Sucre
ECV	Unidad de Valor Constante (UVC)
EEK	Kroon
EGP	Egyptian Pound
ERN	Nakfa
ESP	Spanish Peseta
ETB	Ethopian Birr
EUR	Euro GS1 Description: Official monetary unit of the European Union (EU).
FIM	Markka
FJD	Fiji Dollar
FKP	Falkland Islands Pound
FRF	French Franc

Used Codes

GBP	Pound Sterling
GEL	Lari
GHC	Cedi
GIP	Gibraltar Pound
GMD	Dalasi
GNF	Guinea Franc
GRD	Drachma
GTQ	Quetzal
GWP	Guinea-Bissau Peso
GYP	Guyana Dollar
HKD	Honk Kong Dollar
HNL	Lempira
HRD	Croatian Dinar (GS1 Temporary Code)
HRK	Kuna
HTG	Gourde
HUF	Forint
IDR	Rupiah
IEP	Irish Pound
ILS	New Israeli Sheqel
INR	Indian Rupee
IQD	Iraqi Dinar
IRR	Iranian Rial
ISK	Iceland Krona
ITL	Italian Lira
JMD	Jamaican Dollar
JOD	Jordanian Dinar
JPY	Yen
KES	Kenyan Shilling
KGS	Som
KHR	Riel
KMF	Comoro Franc
KPW	North Korean Won
KRW	Won

Used Codes

KWD	Kuwaiti Dinar
KYD	Cayman Islands Dollar
KZT	Tenge
LAK	Kip
LBP	Lebanese Pound
LKR	Sri Lanka Rupee
LRD	Liberian Dollar
LSL	Loti
LTL	Lithuanian Litas
LUC	Luxembourg Franc (convertible)
LUF	Luxembourg Franc
LUL	Luxembourg Franc (financial)
LVL	Latvian Lats
LYD	Libyan Dinar
MAD	Moroccan Dirham
MDL	Moldovan Leu
MGF	Malagasy Franc
MKD	Denar
MNT	Tugrik
MOP	Pataca
MRO	Ouguiya
MTL	Maltese Lira
MUR	Mauritius Rupee
MVR	Rufiyaa
MWK	Kwacha
MXN	Mexican Peso
MXV	Mexican Unidad de Inversion (UDI)
MYR	Malaysian Ringgit
MZM	Metical
NAD	Namibia Dollar
NGN	Naira
NIC	Cordoba
NIO	Cordoba Oro

Used Codes

NLG	Netherlands Guilder
NOK	Norwegian Krone
NPR	Nepalese Rupee
NZD	New Zealand Dollar
OMR	Rial Omani
PAB	Balboa
PEI	Inti
PEN	Nuevo Sol
PGK	Kina
PHP	Philippine Peso
PKR	Pakistan Rupee
PLN	Zloty
PTE	Portuguese Escudo
PYG	Guarani
QAR	Qatari Rial
ROL	Leu
RSD	Serbian Dinar
RUB	Russian Ruble
RWF	Rwanda Franc
SAR	Saudi Riyal
SBD	Solomon Islands Dollar
SCR	Seychelles Rupee
SDD	Sudanese Dinar
SEK	Swedish Krona
SGD	Singapore Dollar
SHP	St. Helena Pound
SIT	Tolar
SKK	Slovak Koruna
SLL	Leone
SOS	Somali Shilling
SRG	Suriname Guilder
STD	Dobra
SVC	El Salvador Colon

Used Codes

SYP	Syrian Pound
SZL	Lilangeni
THB	Baht
TJR	Tajik Ruble
TMM	Manat
TND	Tunisian Dinar
TOP	Pa'anga
TPE	Timor Escudo
TRL	Turkish Lira
TTD	Trinidad and Tobago Dollar
TWD	New Taiwan Dollar
TZS	Tanzanian Shilling
UAH	Hryvnia
UGX	Uganda Shilling
USD	US Dollar
USN	US Dollar (next day)
USS	US Dollar (same day)
UYU	Peso Uruguayo
UZS	Uzbekistan Sum
VEB	Bolivar
VND	Dong
VUV	Vatu
WST	Tala
XAF	CFA Franc BEAC
XAG	Silver
XAU	Gold
XBA	European Composite Unit (EURCO)
XBB	European Monetary Unit (E.M.U.-6)
XBC	European Unit of Account 9 (E.U.A.-9)
XBD	European Unit of Account 17 (E.U.A.-17)
XCD	East Carribean Dollar
XDR	SDR
XEU	European Currency Unit (E.C.U.) (GS1 Temporary Code)

Used Codes

XFO	Gold-Franc
XFU	UIC-Franc
XOF	CFA Franc BCEAO
XPD	Palladium
XPF	CFP Franc
XTS	Code specifically reserved for testing purposes
XXX	For transactions where no currency is involved
YDD	Yemeni Dinar
YER	Yemeni Rial
YUM	New Dinar
YUN	Yugoslavian Dinar (GS1 Temporary Code)
ZAR	Rand
ZMK	Kwacha
ZWD	Zimbabwe Dollar

6347

Currency usage code qualifier
Code qualifying the usage of a currency.

2	Reference currency The currency applicable to amounts stated. It may have to be converted.
3	Target currency The currency which should be used to the target destination of the transaction.

6411

Measurement unit code
Code specifying the unit of measurement.

Notes:
| 1. Recommend use UN/ECE Recommendation 20, Common code.

001	Barrel (205 litres, 45 gallons) (GS1 Temporary Code)
002	Degree days (GS1 Temporary Code)
003	Gigacaloric (GS1 Temporary Code)
04	small spray
23	gram per cubic centimetre GS1 Description: g/cm ³ as a unit of measure for the density of gas. This is necessary for dangerous substance articles for determination of the quantities that can be stored together on the shelf.

Used Codes

25	gram per square centimetre GS1 Description: A measure of weight in terms of gram per square centimetre.
28	kilogram per square metre GS1 Description: Unit of measure expressed in kilogram per square metre.
37	ounce per square foot
59	part per million
64	Pound per square inch, gauge A unit of measure expressed in pound per square inch
2N	decibel
2X	metre per minute GS1 Description: A measure of speed in terms of metres per minute.
4K	milliampere
4L	megabyte GS1 Description: A unit of computer memory equal to 1.048.576 (i.e. 2 power 20) bytes.
4O	microfarad GS1 Description: One millionth of a farad. A farad is the capacitance of a capacitor between the plates of which a potential of 1 volt is created by a charge of 1 Coulomb.
4P	newton per metre
A25	cheval vapeur
A86	gigahertz GS1 Description: Hertz multiplied by 10 ⁹ .
A99	Bit A unit of information equal to one binary digit.
ACR	acre GS1 Description: Acre (4840 yd ²)
AD	byte GS1 Description: A unit of information stored in a computer, equal to eight bits.
AMH	ampere hour GS1 Description: Ampere-hour (3,6kC)
AMP	ampere
AMT	Amount (GS1 Temporary Code) A measurement of monetary amount.

Used Codes

ANN	year GS1 Description: The expression of a year as a measure unit.
APX	Troy ounce (31.10348 g) (GS1 Temporary Code)
APZ	Troy ounce or apothecary ounce EDIFACT
ASM	alcoholic strength by mass GS1 Description: Alcoholic strength expressed by mass.
ASU	alcoholic strength by volume GS1 Description: Alcoholic strength expressed by volume.
AV	capsule GS1 Description: Encapsuled dosage form for pharmaceuticals.
B13	Joule per square metre A unit of measure of heat energy expressed in joule per square metre.
B17	Credit A unit of count defining the number of entries made to the credit side of an account.
BAR	bar GS1 Description: A unit of measure equal to 106 dines per square centimeter.
BTU	British thermal unit GS1 Description: British thermal unit (1,055 kilojoules)
C0	call GS1 Description: Unit of measure for telephone calls. Code value is C0 (C Zero).
C60	ohm centimetre GS1 Description: Unit of measure expressed in Ohm centimetre.
C79	Kilovolt Ampere Hour A unit of accumulated energy of 1000 volt amperes over a period of one hour. EDIFACT
CDL	candela GS1 Description: Unit of measure of light intensity.
CEL	degree celsius
CF2	Colony forming unit per gram (GS1 Temporary Code) Colony forming units per gram is a unit of measure for micro-organisms, such as bacteria, in a food item. Micro-organisms form colonies that are be counted under determined conditions

Used Codes

CLT	centilitre GS1 Description: A unit of volume equal to one hundredth of a liter.
CMK	square centimetre
CMQ	cubic centimetre GS1 Description: A system of units for the measurement of volume based on the cubic centimetre.
CMT	centimetre
D19	Square metre kelvin per watt Unit of measure of thermal insulance expressed in square metre kelvin per watt.
D21	square metre per kilogram GS1 Description: Unit of measure expressed in square metre per kilogram.
D32	Terawatt hour A unit of measure expressed in terawatt hour
D5	Kilogram per square centimetre A unit of measure expressed in kilogram per square centimetre
D55	Watt per square metre kelvin Unit of measure of thermal conductance expressed in watt per square metre kelvin.
D68	Number of Words A unit of count defining the number of words. EDIFACT
DAY	day GS1 Description: The expression of a day as a measure unit.
DD	degree GS1 Description: Unit of measure of temperature.
DMQ	cubic decimetre GS1 Description: Unit of measure expressed in cubic decimetre.
DMT	decimetre
DOS	Dose (GS1 Temporary Code) An amount of medicine, etc administered at one time.
DRG	Dragée (GS1 Temporary Code) Number of dragées (coated tablets) contained in the item's package as a measurement unit.

Used Codes

DZN	dozen GS1 Description: A unit of measure of 12 or group of 12.
E09	Milliampere hour A unit of power load delivered at the rate of one thousandth of an ampere over a period of one hour. EDIFACT
E10	Degree day A unit of measure used in meteorology and engineering to measure the demand for heating or cooling over a given period of days. EDIFACT
E11	Gigacalorie A unit of heat energy equal to one thousand million calories. EDIFACT
E27	Dose A unit of count defining the number of doses (dose: a definite quantity of a medicine or drug). EDIFACT
E31	Square metre per litre A unit of count defining the number of square metres per litre. EDIFACT
E32	Litre per hour A unit of count defining the number of litres per hour. EDIFACT
E34	Gigabyte A unit of information equal to 10 E9 bytes.
E37	Pixel A unit of count defining the number of pixels (pixel: picture element).
E38	Megapixel A unit of count equal to 10 E6 (1000000) pixels (picture elements).
E39	Dots per inch A unit of information defining the number of dots per linear inch as a measure of the resolution or sharpness of an image. GS1 Description: synonym: pixels per inch.
EA	each
EV	envelope GS1 Description: A unit of measure pertaining to the number of envelopes.
FAH	degree Fahrenheit

Used Codes

FOT	foot GS1 Description: Foot (0,3048 m)
FP	Pound per square foot A unit of measure expressed in pound per square foot
FTK	Square foot A unit of measure expressed in square foot
FTQ	cubic foot
GL	gram per litre
GLI	gallon (UK) GS1 Description: Gallon (4,546092 dm ³)
GM	gram per square metre GS1 Description: Unit of measure of grams per square metre.
GRM	gram
GRO	gross GS1 Description: A unit of measure of 12 dozens.
GV	gigajoule
GWH	gigawatt hour GS1 Description: Gigawatt-hour (1 million kW/h)
H87	Piece A unit of count defining the number of pieces (piece: a single item, article or exemplar). EDIFACT
HLT	hectolitre
HMT	hectometre A unit of linear measure equal to 10 E2 metres.
HTZ	hertz GS1 Description: One cycle per second.
HUR	hour
INH	inch GS1 Description: Inch (25,4 mm)
INK	Square inch A unit of measure expressed in square inch
JM	Megajoule per cubic metre EDIFACT

Used Codes

JOU	joule
K51	Kilocalorie (mean) EDIFACT
KAH	Kilovolt Ampere Hour (GS1 Temporary Code) A unit of measure expressed in Kilovolt Ampere Hour.
KB	kilocharacter
KBA	kilobar
KCL	Kilocalorie (GS1 Temporary Code) Unit of measure for the calorific value of the item (= 1000 cal).
KEL	kelvin
KGM	kilogram
KHZ	kilohertz
KJO	kilojoule
KL	kilogram per metre GS1 Description: A measure of weight in terms of kilogram per metre.
KMH	kilometre per hour GS1 Description: A unit of measure expressed in kilometre per hour.
KMQ	kilogram per cubic metre GS1 Description: A measure of weight in terms of kilogram per cubic metre.
KPA	kilopascal GS1 Description: Unit of measure expressed in kilopascal.
KTM	kilometre
KVA	kilovolt - ampere GS1 Description: A unit of electric power.
KVT	kilovolt
KWH	kilowatt hour
KWT	kilowatt
L2	litre per minute GS1 Description: Unit of measure expressed in litre per minute.
LBR	Pound EDIFACT
LD	Litre per day A unit of measure defining the number of litres per day.

Used Codes

LIH	Litre per hour (GS1 Temporary Code) Unit of measure expressed in litre per hour.
LNE	Printed line count (GS1 Temporary Code) The indication of the count of printed lines included on a paper communication (e.g. telegram) for invoicing purposes.
LTR	litre GS1 Description: Litre (1 dm ³)
LUX	lux GS1 Description: Unit of measure of illumination (it corresponds to the illumination of a surface which normally and uniformly receives a light flow of 1 lumen per square meter).
M4	Monetary value A unit of measure expressed as a monetary amount. EDIFACT
MAL	mega litre
MAW	megawatt
MC	microgram One millionth of a gram.
MCU	millicurie GS1 Description: Unit of measure for radioactivity.
MGM	milligram
MHZ	megahertz
MIN	minute
MLT	millilitre
MMK	square millimetre GS1 Description: A unit to measure a surface equal to one millionth of a quadrate.
MMQ	cubic millimetre GS1 Description: A unit of measure expressed in cubic milimetres.
MMT	millimetre
MON	month GS1 Description: The expression of a month as a measure unit.
MPA	megapascal GS1 Description: A unit of measure expressed in Megapascal.

Used Codes

MQH	Cubic metre per hour A unit of measure defining the number of cubic metres per hour.
MTA	Micro farad (GS1 Temporary Code) One millionth of a farad. A farad is the capacitance of a capacitor between the plates of which a potential of 1 volt is created by a charge of 1 Coulomb.
MTK	square metre
MTQ	cubic metre
MTR	metre
MTS	Metre per second A unit of speed expressed in metres per second.
MWH	megawatt hour (1000 kW.h)
NAR	number of articles
NEW	newton GS1 Description: The SI unit of force, equal to the force that would give a mass of one kilogram an acceleration of one metre per second.
NIU	number of international units A unit of count defining the number of international units.
NRL	number of rolls
ONZ	ounce GS1 Description: Ounce GB, US (28,349523 g)
OZA	fluid ounce (US) GS1 Description: Fluid ounce US (29,5735 cm ³)
OZI	fluid ounce (UK) GS1 Description: Fluid ounce UK (28,413 cm ³)
P1	percent GS1 Description: This code is used to indicate measurements in terms of percentages, e.g. the relative humidity (code RA in data element 6313) is 52%.
PA	packet
PAL	pascal GS1 Description: The SI unit of pressure, equal to one Newton per square metre.
PCE	Piece (GS1 Temporary Code)
PF	pallet (lift) GS1 Description: A number of articles expressed in terms of pallets.
PND	Pound (GS1 Temporary Code)

Used Codes

PR	pair GS1 Description: Two articles which belong together but are not necessarily identical.
PTI	pint (UK) GS1 Description: Pint UK (0,568262 dm3)
PTN	Portion (GS1 Temporary Code) The identification of the number of portions (doses in medical terms) into which a complete product may be broken into for serving purposes, e.g. a pie with 6 portions, a liquid medicine with 20 doses.
QAN	quarter (of a year)
QTI	quart (UK) GS1 Description: Quart UK (1,1136523 dm3)
RJH	Decanewton (GS1 Temporary Code) A unit of force equal to 10 Newton.
RPM	revolutions per minute
RTO	Ratio (GS1 Temporary Code)
SEC	second
SMI	Mile (statute mile) A unit of measure expressed in mile
SML	Square metre per litre (GS1 Temporary Code) Unit of measure expressed in square metre per litre.
ST	sheet
TNE	tonne (metric ton) GS1 Description: Metric ton (1000kg)
U2	tablet A unit of count defining the number of tablets (tablet: a small flat or compressed solid object). GS1 Description: Dosage form for pharmaceuticals, pressed or compacted from a powder into a solid dose.
UI	Unit of activity, predefined (GS1 Temporary Code) A measure pertaining to a predefined activity.
VI	vial GS1 Description: Small glass container. E.g. for a liquid medicine or perfume.
VLT	volt
WHR	watt hour

Used Codes

WRD	Word (GS1 Temporary Code) The specification of a word as a measurement unit, e.g. 21 words in a telex.
WTT	watt
YDK	Square yard A unit of measure expressed in square yard
YRD	yard GS1 Description: Yard (0,9144 m)
ZE	Milliampere hour (GS1 Temporary Code) A practical unit of quantity of electricity; the quantity that flows in one hour through a conductor carrying a current of 1 Ampere. 1 Ampere-hour is the equivalent to 36000 Coulombs.
ZP	page GS1 Description: The indication of a page as a measurement unit for invoicing purposes, e.g. fax pages.
7009	Item description code Code specifying an item.
ACA	ABC Method - Classification A (GS1 Permanent Code) Activity based on costing classification method A.
ACB	ABC Method - Classification B (GS1 Permanent Code) Activity based on costing classification method B.
ACC	ABC Method - Classification C (GS1 Permanent Code) Activity based on costing classification method C.
AUT	Autumn (GS1 Permanent Code) Autumn season.
BA	Base article (GS1 Permanent Code) A conceptual article identified for the purposes of ordering Customer Specific Articles. Base articles must always have configurations of options associated with them.
BLK	Bulk consumer unit (GS1 Permanent Code) The item is designed as a bulk consumer unit, i.e. to be sold mainly to hotels, restaurants, caterers, hospitals etc.
BU	Base unit (GS1 Permanent Code) The lowest level packaged unit for a given product, which may or may not be the consumer unit.
CA	Case (GS1 Permanent Code)
CIT	Collateral Item (GS1 Permanent Code)

Used Codes

CMP	Composition (GS1 Permanent Code) A grouping of existing compositions, base articles, new options, and/or new option values.
CSF	Display material (GS1 Permanent Code) Articles used to promote articles at the sale location.
CSG	Full display stand (GS1 Permanent Code) Display stand containing the articles to be displayed.
CTO	Cut to order (GS1 Permanent Code) Code indicating that the current product may be sold in measurements cut to the customers specification, e.g. carpets.
CU	Consumer unit (GS1 Permanent Code) The package size of a product or products agreed by trading partners as the size sold at the retail point of sale.
D	Available all the year round (GS1 Permanent Code) The product is available all the year round.
DAS	Dynamic Assortment (GS1 Permanent Code)
DF	Default (GS1 Permanent Code) A line item in a Customer Specific Article which is a default option of a base article which will be automatically selected if none of the other available options are chosen.
DIC	Discount coupon (GS1 Permanent Code) A coupon that entitles to a discount.
DSP	Display shipper (GS1 Permanent Code)
DST	Display stand (GS1 Permanent Code) A stand used for display purposes which is generally not for sale to the consumer.
DU	Despatch unit (GS1 Permanent Code) The package size of a product or products which may be shipped when fulfilling an order.
ETO	Engineer to Order (GS1 Permanent Code) Engineer to Order includes products that are designed, developed and manufactured in response to a specific customer request.
F01	Caught (GS1 Permanent Code) Caught at sea
F02	Caught in freshwater (GS1 Permanent Code) Caught in freshwater
F03	Farmed (GS1 Permanent Code) Farmed

Used Codes

F04	Cultivated (GS1 Permanent Code) Cultivated
FEM	Female (GS1 Permanent Code) Female gender.
FS	Available in spring-summer (GS1 Permanent Code) The product is available in the spring-summer period.
FZ1	Previously frozen (GS1 Permanent Code) Previously frozen
FZ2	Not previously frozen (GS1 Permanent Code) Not previously frozen
GWP	Gift with purchase (GS1 Permanent Code)
HN	Handling unit (GS1 Permanent Code) The package size of a product which will be used when transporting and storing the product.
HW	Available in autumn-winter (GS1 Permanent Code) The product is available in the autumn-winter period.
IF1	IF <> THEN <> ENDIF (GS1 Permanent Code) E.G., IF <customer chooses node number 1332> THEN <action (taken from DE 1229 of LIN) to node number 1773> ENDIF.
IF2	IF NOT <> THEN <> ENDIF (GS1 CPermanent ode) E.G., IF NOT <customer does not choose node number 1332> THEN <action (taken from DE 1229 of LIN) to node number 1773> ENDIF.
IF3	IF <> AND (GS1 Permanent Code) E.G., IF <customer chooses node number 1332> AND (followed by another repeat of IMD with another rule).
IF4	IF NOT <> AND (GS1 Permanent Code) E.G., IF NOT <customer does not choose node number 1332> AND (followed by another repeat of IMD with another rule).
IF5	IF <> OR (GS1 Permanent Code) E.G., IF <customer chooses node number 1332> OR (followed by another repeat of IMD with another rule).
IF6	IF NOT <> OR (GS1 Permanent Code) E.G., IF NOT <customer does not choose node number 1332> OR (followed by another repeat of IMD with another rule).
IF7	IF <> XOR (GS1 Permanent Code) E.G., IF <customer chooses node number 1332> XOR (followed by another repeat of IMD with another rule).
IF8	IF NOT <> XOR (GS1 Permanent Code) E.G., IF NOT <customer does not choose node number 1332> XOR (followed by another repeat of IMD with another rule).

Used Codes

IN	Invoicing unit (GS1 Permanent Code) The package size of a product or products which will be used as the unit on which the buyer is invoiced.
IT	Intermediate unit (GS1 Permanent Code) A package size of a product or products falling in between two predefined package sizes.
MA	Mandatory (GS1 Permanent Code) An option of a Customer Specific Article which is mandatory in the configuration of the base article, e.g. it is mandatory to have legs when ordering a CSA table.
MAL	Male (GS1 Permanent Code) Male gender.
MM	Mixed module (GS1 Permanent Code)
MOD	Model (GS1 Permanent Code) The identification of an article as a high level model of a product, e.g. spring fashions.
MP	Multipack (GS1 Permanent Code)
MTO	Make to Order (GS1 Permanent Code) A Make to Order environment is one in which products are completed after receipt of a customer order and are built or configured only in response to a customer order.
MTS	Make to Stock (GS1 Permanent Code) Make to Stock products are intended to be shipped from finished goods or 'off the shelf', are completed prior to receipt of a customer order, and are generally produced in accordance with sales forecasts.
NAR	Next Article (GS1 Permanent Code) An indication that what follows is a set of linked articles, a certain number of these linked articles should be chosen.
NBU	Not a base unit (GS1 Permanent Code) Not the lowest level packaged unit for a given product, which may or may not be the consumer unit.
NCU	Not a consumer unit (GS1 Permanent Code) The current base item or packaging item is not a consumer unit, i.e. is not a pre-packaging that is intended and labelled or marked for consumers according to legal requirements.
ND	Non divisible item (GS1 Permanent Code) The item is not divisible.
NDU	Not a despatch unit (GS1 Permanent Code) The current base item or packaging item is not a regular logistical despatch unit, i.e. it is as a rule only delivered as many within a further repackaging, and not as an individual logistics item.

Used Codes

NFR	Not For Resale (GS1 Permanent Code) Item is not for resale to consumer.
NIN	Not an invoicing unit (GS1 Permanent Code) The current base item or packaging item is not an invoicing unit of the data supplier, i.e. cannot be invoiced individually but only as one of many in a repackaging or transport packaging item.
NLK	Not a bulk consumer unit (GS1 Permanent Code) The item is not designed as a bulk consumer unit, i.e. to be sold mainly to hotels, restaurants, caterers, hospitals etc.
NO	Not an ordering unit (GS1 Permanent Code) A package size of a product or products which may not be ordered.
NOS	Yes, NOS item (GS1 Permanent Code) The current item is an NOS (Never out of stock) article, that is continuously reordered and replenished.
NOT	Not, not an NOS item (GS1 Permanent Code) The current item is not an NOS (Never out of stock) article, therefore is not continuously reordered and replenished.
NOV	Next option value (GS1 Permanent Code) An indication that what follows is a set of linked option values, next option values, or parameters.
NPC	Reusable container, but not standardized by a pool cooperative (GS1 Permanent Code) Reusable container that is not standardized by a pool cooperative.
NRC	Non-returnable container (GS1 Permanent Code) The current product is not traditionally a traded product and does not need to be returned to the sender.
NRE	Not a retail product (GS1 Permanent Code) The current item is not meant for retail sale, but only for sale to hotels, restaurants and catering.
NS	Not smallest unit (GS1 Permanent Code) Not the smallest unit for a given product.
NSU	Non-standard unit (GS1 Permanent Code) Products grouped together to fulfil specific ordering needs and not generally available.
NVQ	Not a variable quantity product (GS1 Permanent Code) The current item is a variable weight trade item, for which the weight and the quantity is determined only by the buyer.
OP	Option (GS1 Permanent Code) An option within a Customer Specific Article which does not exist on its own, e.g. colour, and which has discrete values.

Used Codes

OPL	Overall product level (GS1 Permanent Code) An overall level whereby many products are grouped on the basis of their composition, application and characteristics (e.g. Coca Cola with no size, packaging, price, etc, specified).
OPV	Option value (GS1 Permanent Code) The result of a choice of an option. The option value will be the lowest level of a branch beneath an option structure.
ORU	Ordering unit (GS1 Permanent Code) Indication that the current product is an ordering unit (ordering unit will not normally equal invoicing unit).
PA	Numeric parameter (GS1 Permanent Code) An option of a Customer Specific Article which has a continuous numeric value, e.g., measurement of the length of a chair leg between 60cms and 80cms.
PAA	Alpha-numeric parameter (GS1 Permanent Code) An option of a Customer Specific Article which has a continuous alpha-numeric value, e.g., words and numbers to be embroidered into a cushion cover.
PAD	Promotional article description (GS1 Permanent Code) Description of a promotional article.
PAL	Pallet (GS1 Permanent Code)
PAS	Prepack assortment (GS1 Permanent Code)
PIP	Packer or inner pack (GS1 Permanent Code)
PPK	Prepack (GS1 Permanent Code)
PR1	Bonus Pack (GS1 Permanent Code) The free quantity promotional trade item contains free additional quantities. The additional quantity is written on the package as free.
PR2	Free components (GS1 Permanent Code) It contains free included components or material. The price is lower since the trade item includes a part of its content free. The free quantity is written on the package.
PR3	Free quantity (GS1 Permanent Code) It contains free quantity, a "special offer" sticker on the package indicates the promotional offer but the free quantity is not written on the package. If the free quantity promotional offer results in a change of GTIN and the quantity of product is the same as the standard trade item, it qualifies as a free quantity promotional trade item. The linkage has to be provided.
PR4	Multi-pack and combination pack (GS1 Permanent Code) It is a promotional grouping with included free quantity. The grouping is created for promotional activities only. In the grouping a part of the quantity is free.
PRO	Programme (GS1 Permanent Code) A programme within a Customer Specific Article which does not exist on its own.

Used Codes

PWP	Purchase with purchase (GS1 Permanent Code)
RC	Returnable container (GS1 Permanent Code) The current product is not traditionally a traded product but one which should be returned according to separate instructions.
RD	Refundable deposit item (GS1 Permanent Code) Item is subject to a refundable deposit.
RE	Retail product (GS1 Permanent Code) The current item is meant for retail sale only, and not for sale to hotels, restaurants and catering.
RPC	Reusable pool container (GS1 Permanent Code) Reusable container standardized by a pool cooperative.
SER	Service (GS1 Permanent Code) A code identifying the current item as a service (i.e. not a physical product).
SG	Standard group of products (mixed assortment) (GS1 Permanent Code) A standard package containing different products enabling the package to be ordered, delivered and invoiced.
SMR	Summer (GS1 Permanent Code) Summer season.
SPK	Setpack (GS1 Permanent Code)
SPR	Spring (GS1 Permanent Code) Spring season.
SU	Smallest unit (GS1 Permanent Code) The smallest usable or tradeable size or unit for a given product.
TU	Traded unit (GS1 Permanent Code) The package size of a product or products which has been agreed by trading partners as the size which may be ordered, delivered and invoiced.
UNI	Unisex (GS1 Permanent Code) No gender.
VQ	Variable quantity product (GS1 Permanent Code) Product is used or traded in continuous rather than discrete quantities.
WNT	Winter (GS1 Permanent Code) Winter season.
XX1	Count (GS1 Permanent Code)
XX2	Area (GS1 Permanent Code)
XX3	Weight (GS1 Permanent Code)
XX4	Volume (GS1 Permanent Code)
XX5	Length (GS1 Permanent Code)

Used Codes

XX6	Loose (GS1 Permanent Code)
XX7	Pre-packed (GS1 Permanent Code)
XX8	Fixed discount coupon on item price (GS1 Permanent Code) A discount coupon that can be redeemed at the point of sale for a fixed amount when purchasing a specific item/brand/range.
XX9	Fixed discount coupon on purchase amount (GS1 Permanent Code) A discount coupon that can be redeemed at the point of sale for a fixed amount on the total amount of the purchase.
XY1	Percentage discount on item price (GS1 Permanent Code) A discount coupon that can be redeemed at the point of sale for a percentage of the specific item/brand/range value.
XY2	Percentage discount on purchase amount (GS1 Permanent Code) A discount coupon that can be redeemed at the point of sale for a percentage of the total amount of the purchase.
XY3	Meal voucher (GS1 Permanent Code) Fixed amount voucher that can be redeemed at foodservice industry.
XY4	Limited Edition (GS1 Permanent Code) A product with limited edition is restricted in the number of copies produced, although in fact the number may be very low or very high. A special edition implies there is extra material of some kind included.
XY5	One Shot Product (GS1 Permanent Code) The trading partners agree to supply/buy this product only once. Afterwards this product will not be supplied/bought any more.
7065	Package type description code Code specifying the type of package. Notes: 1. Recommend use UN/ECE Recommendation No. 21 (also, see current volume of UNTDED).
08	Oneway pallet (GS1 Temporary Code) Pallet need not be returned to the point of expedition.
09	Returnable pallet (GS1 Temporary Code) Pallet must be returned to the point of expedition.
200	Pallet ISO 0 - 1/2 EURO Pallet (GS1 Temporary Code) Standard pallet with dimensions 80 X 60 cm.
201	Pallet ISO 1 - 1/1 EURO Pallet (GS1 Temporary Code) Standard pallet with dimensions 80 X 120 cm.
202	Pallet ISO 2 (GS1 Temporary Code) Standard pallet with dimensions 100 X 120 cm.

Used Codes

203	1/4 EURO Pallet (GS1 Temporary Code) Standard pallet with dimensions 60 X 40 cm.
204	1/8 EURO Pallet (GS1 Temporary Code) Standard pallet with dimensions 40 X 30 cm.
205	Synthetic pallet ISO 1 (GS1 Temporary Code) A standard pallet with standard dimensions 80*120cm made of a synthetic material for hygienic reasons.
206	Synthetic pallet ISO 2 (GS1 Temporary Code) A standard pallet with standard dimensions 100*120cm made of a synthetic material for hygienic reasons.
210	Wholesaler pallet (GS1 Temporary Code) Pallet provided by the wholesaler.
211	Pallet 80 X 100 cm (GS1 Temporary Code) Pallet with dimensions 80 X 100 cm.
212	Pallet 60 X 100 cm (GS1 Temporary Code) Pallet with dimensions 60 X 100 cm.
5L	Bag, textile GS1 Description: A bag made of textile.
5M	Bag, paper GS1 Description: A bag made of paper.
AE	Aerosol A spray can dispensing paint, furniture polish, etc, under pressure.
AH	Pallet 100cms * 110cms Standard sized pallet of dimensions 100centimeters by 110 centimeters (cms). EDIFACT
AI	Clamshell EDIFACT
APE	Aluminium packed (GS1 Temporary Code) Packaging using thin sheets of aluminium.
AT	Atomizer A device to shoot out a fine spray, e.g. medicine, perfume, etc.
BA	Barrel A wooden or plastic container with slightly bulging sides and flat ends.
BC	Bottlecrate, bottlerack A container for the storage or movement of bottles.
BE	Bundle A number of items grouped loosely together in a package by means of tying.

Used Codes

BG	<p>Bag</p> <p>A non-rigid container made of fabric, paper, plastic, etc, with an opening at the top which can be closed.</p>
BGE	<p>Large bag, pallet sized (GS1 Temporary Code)</p> <p>A non-rigid container made of fabric, paper, plastic, etc, with an opening at the top which can be closed and which is suitable for use on pallets.</p>
BJ	<p>Bucket</p> <p>A container with a handle, used for carrying water, mayonnaise, etc.</p>
BL	<p>Bale, compressed</p> <p>A large bundle, as of cotton, hay, straw, etc, which is compressed and bound.</p>
BM	<p>Basin</p> <p>GS1 Description: A deep open container.</p>
BME	<p>Blister pack (GS1 Temporary Code)</p> <p>A transparent strip package of pressable plastic which allows the product to be displayed while remaining protected.</p>
BN	<p>Bale, non-compressed</p> <p>A large bundle, as of cotton, hay, straw, etc, which is not compressed or bound.</p>
BO	<p>Bottle, non-protected, cylindrical</p> <p>A non-protected cylindrical container with a narrow neck made usually of glass or plastic which is especially used for liquids.</p>
BR	<p>Bar</p> <p>An oblong package, usually used for soap.</p>
BRI	<p>Brick (GS1 Temporary Code)</p> <p>A box made of a cardboard, plastic or metal, used for liquids.</p>
BS	<p>Bottle, non-protected, bulbous</p> <p>A non-protected cylindrical container with a bulbous base and a narrow neck made usually of glass or plastic which is especially used for liquids.</p>
BU	<p>Butt</p> <p>A large barrel or cask which is usually used to store or move liquids.</p>
BX	<p>Box</p> <p>A lidded package which can be made of cardboard, wood, plastic, tin, etc.</p>
CA	<p>Can, rectangular</p> <p>A rectangular container which is usually made of metal and has a separate cover.</p>
CBL	<p>Container bottle like (GS1 Temporary Code)</p> <p>A non-protected, non-cylindrical, container with a narrow neck made usually of glass or plastic which is especially used for liquids, e.g. perfume bottle.</p>

Used Codes

CCE	Cardboard carrier (GS1 Temporary Code) A package made of cardboard.
CD	Can, with handle and spout GS1 Description: A can with a handle and spout which allows the lifting and pouring of liquids contained within the can.
CG	Cage A cage without wheels.
CM	Card A flat package usually made of fibreboard from/to which the product is often hung or attached. EDIFACT
CMS	Clamshell (GS1 Temporary Code) A package with a base and top that are hinged together. E.g. video cassette case.
CN	Container, not otherwise specified as transport equipment GS1 Description: A receptacle in which something is kept and/or transported.
CR	Crate A packaging case which is usually made of wooden slats.
CS	Case A package such as a box.
CT	Carton A cardboard box or container.
CU	Cup A small bowl shaped container for beverages, often with a handle.
CW	Cage, roll GS1 Description: A three sided cage mounted on wheels.
CX	Can, cylindrical A cylindrical container which is usually made of metal and has a separate cover.
CY	Cylinder A cylindrical container, which is usually made of cardboard and may have a separate cover.
D99	Sleeve A non-rigid container made of paper, cardboard or plastic that is open-ended and is slid over the contents for protection or presentation.
DA	Crate, multiple layer, plastic GS1 Description: Plastic crate which contains multiple layers.

Used Codes

DB	Crate, multiple layer, wooden GS1 Description: Wooden crate which contains multiple layers.
DC	Crate, multiple layer, cardboard
DG	Cage, Commonwealth Handling Equipment Pool (CHEP)
DH	Box, Commonwealth Handling Equipment Pool (CHEP), Eurobox
DJ	Demijohn, non-protected A large bulbous container made of glass with a narrow neck, which is especially used with liquids (oil, wine).
DK	Crate, bulk, cardboard
DL	Crate, bulk, plastic
DM	Crate, bulk, wooden
DN	Dispenser
DP	Demijohn, protected A large bulbous protected container made of glass with a narrow neck, which is especially used with liquids (oil, wine).
DPE	Display package (GS1 Temporary Code) A package used for the display of goods, usually during a promotion.
DR	Drum A cylindrical container usually used for the storage and movement of oil.
DS	Tray, one layer no cover, plastic
DT	Tray, one layer no cover, wooden
DU	Tray, one layer no cover, polystyrene
DV	Tray, one layer no cover, cardboard
DW	Tray, two layers no cover, plastic tray
DX	Tray, two layers no cover, wooden
DY	Tray, two layers no cover, cardboard
EC	Bag, plastic
ED	Case, with pallet base
EE	Case, with pallet base, wooden
EF	Case, with pallet base, cardboard
EG	Case, with pallet base, plastic
EH	Case, with pallet base, metal
EI	Case, isothermic

Used Codes

EN	Envelope A non-rigid container, made of paper or plastic, that can be opened with a tear or a cut.
FOB	Folding box (GS1 Temporary Code) Folded cardboard box e.g for products like frozen vegetables, paper clips
FP	Filmpack Packaging using a clear thin plastic.
FPE	Foil packed (GS1 Temporary Code) Packaging using a metallic foil.
FT	Foodtainer
GB	Bottle, gas
HA	Basket, with handle, plastic
HB	Basket, with handle, wooden
HC	Basket, with handle, cardboard
HR	Hamper A large basket usually with a cover which is used to store different types of foodstuffs.
IA	Package, display, wooden
IB	Package, display, cardboard
IC	Package, display, plastic
ID	Package, display, metal
IE	Package, show
IF	Package, flow
JC	Jerrican, rectangular A rigid rectangular container with a lid which is usually used for the storage and movement of oil, gasoline, etc.
JG	Jug A container used for storing and pouring the goods.
JR	Jar GS1 Description: A container made of glass, stone, earthenware or plastic with a large opening, which is used to store products, e.g. jams, cosmetics.
JT	Jutebag A bag made of strong fibres.
JY	Jerrican, cylindrical A rigid cylindrical container with a lid which is usually used for the storage and movement of oil, gasoline, etc.

Used Codes

LAB	Labeled package (GS1 Temporary Code) The package is labeled. Usually the label identifies the name, brand or description of the product within the package.
LG	Log
MPE	Multipack (GS1 Temporary Code) A container for the merchandising of multiple units of the same product.
NE	Unpacked or unpackaged A product merchandised or sold without packaging.
NU	Net, tube, plastic
NV	Net, tube, textile
OA	Pallet, CHEP 40 cm X 60 cm CHEP standard pallet of dimension 40 centimeters X 60 centimeters.
OB	Pallet, CHEP 80 cm X 120 cm CHEP standard pallet of dimension 80 centimeters X 120 centimeters
OC	Pallet, CHEP 100 cm X 120 cm CHEP standard pallet of dimension 100 centimeters X 120 centimeters
OD	Pallet, AS 4068-1993 Australian standard Pallet of dimensions 115.5 centimeters X 116.5 centimeters
OE	Pallet, ISO T11 ISO standard pallet of dimensions 110 centimeters x110 centimeters, prevalent in Asia – Pacific region.
OF	Platform, unspecified weight or dimension A pallet equivalent shipping platform of unknown dimensions or unknown weight.
OPE	Oxygen packed (GS1 Temporary Code) A package with oxygen added for storage purposes.
PA	Packet Package type used for the smallest trade unit, e.g., a packet of 20 cigarettes, a packet of potato chips.
PAE	Paper (GS1 Temporary Code) An indication that the item(s) is packed in paper.
PB	Pallet, box
PC	Parcel A small wrapped package.
PD	Pallet, modular, collars 80cms * 100cms
PE	Pallet, modular, collars 80cms * 120cms

Used Codes

PG	Plate A smooth flat thin piece of metal, e.g. steel plate.
PJ	Punnet EDIFACT
PK	Package A wrapped or boxed item.
PL	Pail GS1 Description: An open-topped container usually made of metal or plastic, generally used to carry liquids.
PLP	Peel pack (GS1 Temporary Code) A package used for sterile products which may be torn open without touching the product inside.
PO	Pouch A small bag or sack.
POP	Cone shaped paper wrapper (GS1 Temporary Code) Cone shaped paper wrapping e.g. for an individually packed ice cream cone.
PPE	Polypropylene bag (GS1 Temporary Code) A bag made from polypropylene.
PU	Tray A board with a ring for carrying small articles.
PUE	Tray packed in plastic (GS1 Temporary Code) A board with a ring packed in plastic carrying for small articles.
PUN	Punnet (GS1 Temporary Code) A small shallow basket usually made of plastic.
PX	Pallet
RB1	A wheeled pallet with raised rim (GS1 Temporary Code). 81 x 67 x 135 cm (length x width x height). A wheeled pallet with raised rim for the storing and transporting of loads. Dimensions: 81 x 67 x 135 cm (length x width x height).
RB2	A Wheeled pallet with raised rim (GS1 Temporary Code). 81 x 72 x 135 cm (length x width x height). A wheeled pallet with raised rim for the storing and transporting of loads. Dimensions: 81 x 72 x 135 cm (length x width x height).
RB3	Wheeled pallet with raised rim. 81 x 60 x 16 cm (length x width x height). (GS1 Temporary Code) A wheeled pallet with raised rim for the storing and transporting of loads. Dimensions: 81 x 60 x 16 cm (length x width x height).

Used Codes

RCB	Two sided cage on wheels with fixing strap (GS1 Temporary Code) 900 x 770 x 1513 cm (length x width x height) A two sided cage mounted on wheels with fixing strap. Dimensions: 900 x 770 x 1513 cm (length x width x height).
RG	Ring A hollow circular band of material wound around itself.
RJ	Rack, clothing hanger
RL	Reel A spool on which thread, wire, film, etc, is wound.
RO	Roll A package of goods wound into a ball or cylinder.
SA	Sack A large bag of coarse cloth for storing or moving grain, foodstuffs, etc.
SEC	Article Surveillance (GS1 Temporary Code) Equipped with article surveillance.
SH	Sachet A small sealed envelope.
SL	Slipsheet A firm sheet of plastic, cardboard or other material which may be hooked or attached to a forklift or other transportation equipment. The slipsheet is used to pull products stacked on top of it.
SO	Spool Any cylindrical piece on which something is wound.
SP	Sheet, plastic wrapping EDIFACT
STL	Stick (GS1 Temporary Code) A container for dispensing solid substances, e.g. glue, deodorant.
SW	Shrinkwrapped A transport unit load whose contents are secured together through the use of transparent or semi-transparent filmwrap.
SX	Set
T1	Tablet A loose or unpacked article in the form of a bar, block or piece. EDIFACT
TAE	Tablet (GS1 Temporary Code) A small rectangular package of aluminium foil or paper, e.g. a tablet of chocolate.
TB	Tub A round, open, flat bottomed wooden container.

Used Codes

TEV	Tamper evident package (GS1 Temporary Code) A type of package giving easy or immediate recognition that the package has been tampered with after it has been sealed.
THE	Three pack (GS1 Temporary Code) A package containing three products.
TL	Tub, with lid EDIFACT
TRE	Trolley (GS1 Temporary Code) A low cart for the transportation and storage of groceries, milk, etc.
TTE	Tube, standing (GS1 Temporary Code) A screw-topped pliable cylinder capable of standing and suitable for holding pastes or semi-liquids, e.g. a tube of toothpaste.
TU	Tube A screw-topped pliable cylinder suitable for holding pastes or semi-liquids, e.g. a tube of toothpaste.
TV	Tube, with nozzle
TWE	Two pack (GS1 Temporary Code) A package containing two products.
TY	Tank, cylindrical A cylindrical container suitable for the storage or transportation of liquids or gases.
UUE	Tube net (GS1 Temporary Code) A plastic or textile tube suitable for carrying loose products, e.g. fruit.
UVQ	Wrapped in plastic sheet (GS1 Temporary Code) An indication that the items have been wrapped in plastic sheet.
VI	Vial Small (usually glass) container. E.g. for a liquid medicine or perfume.
VP	Vacuumpacked A package from which all air has been removed in order to keep the contents fresh.
WRP	Wrapper (GS1 Temporary Code) Wrapping e.g. for an individually packed ice cream.
X10	Tub with lid (GS1 Temporary Code) A small, usually plastic, container with a lid for food, e.g. ice cream.
X11	Banded package (GS1 Temporary Code) A package with bands, usually metal or nylon, round it to hold the products together.

Used Codes

X12	Cardboard package with grip holes for bottles (GS1 Temporary Code) Cardboard package with a number of holes. Each hole is to be gripped tightly around the neck of a bottle.
X14	Card (GS1 Temporary Code) A flat package usually made of fibreboard from/to which the product is often hung or attached.
X15	Oneway pallet ISO 0 - 1/2 EURO Pallet (GS1 Temporary Code) Oneway pallet with dimensions 80 X 60 cm.
X16	Oneway pallet ISO 1 - 1/1 EURO Pallet (GS1 Temporary Code) Oneway pallet with dimensions 80 X 120 cm.
X17	Pallet with exceptional dimensions (GS1 Temporary Code) Pallet with non-standard dimensions.
X18	Parcel with exceptional dimensions (GS1 Temporary Code) Parcel with non-standard dimensions.
X3	Standard stack of stones (GS1 Temporary Code) Standard stack of stones.
X9	Pallet 100 X 110 cm (GS1 Temporary Code) Pallet with dimensions 100 X 110 cm.

7073

Packaging terms and conditions code
Code specifying the packaging terms and conditions.

1	Packaging cost paid by supplier The cost of packaging is paid by the supplier.
2	Packaging cost paid by recipient The cost of packaging is paid by the recipient.
3	Packaging cost not charged (returnable) There is no charge for packaging because it is returnable.
24	Rented The package has been, or will be, rented. EDIFACT
25	Safe return deposit A deposit paid to guarantee the safe return of the package.
26	Not reusable The package is not reusable. GS1 Description: The equipment may only be used once and is not reusable for the purpose for which it was designed.
27	Package exchangeable at the point of delivery The package may be exchanged at the point of delivery.

Used Codes

29	Labeled The package is labeled. EDIFACT
1E	Unpack from (GS1 Temporary Code) Code identifying that goods should be unpacked from the identified package.
2E	Repack in (GS1 Temporary Code) Code identifying that goods should be repacked from the identified package.
3E	Pack in (GS1 Temporary Code) Code identifying that goods should be packed from the identified package.
4E	Rented (GS1 Temporary Code) The package has been/will be rented from a rental agency (e.g. CHEP pallets).
LAB	Labeled (GS1 Temporary Code) The package is labeled.
X11	Packaging recycling fee paid by supplier (GS1 Temporary Code) The fee for recycling packaging is paid by the supplier.
XX1	Exchange Pallets (GS1 Temporary Code)
XX2	Return Pallets (GS1 Temporary Code)
XX3	Pallet - Third Party Exchange (GS1 Temporary Code)
XX4	No Exchange / No Return Pallet (GS1 Temporary Code)
7077	Description format code Code specifying the format of a description.
A	Free-form long description Long description of an item in free form.
B	Code and text Description of an item in coded and free form text.
C	Code (from industry code list) Description of an item in coded format. GS1 Description: Description of an item provided in coded format from an industry list.
D	Free-form price look up Price look-up description of a product for point of sale receipts.
E	Free-form short description Short description of an item in free form.
F	Free-form Description of an item in free form text. GS1 Description: Item related general free form text description, which is neither a short or long description of the item itself.

Used Codes

S	Structured (from industry code list) Description of an item in a structured format.
7081	Item characteristic code Code specifying the characteristic of an item.
2	General product form Description of general product form.
3	Ship to stock Product without quality control when received.
4	Finish Description of the finish required/available on the product.
6	Construction method Description of the method of construction.
13	Quality The degree of excellence of a thing. GS1 Description: Characteristics to be described refer to the quality of the item.
27	Material description Description of material used to manufacture a product. GS1 Description: Free text description of the materials of which the article is composed.
31	European Community risk class European community classification "CE" indicating the safety risk of an article. GS1 Description: European commission classification indicating the safety risk of an article (also called CE-mark or CE-risk class).
35	Colour Description of the colour required/available on the product.
38	Grade Specification of the grade required/available for the product. GS1 Description: Specification of the grade required/available for the product, e.g. the grade of fruit.
44	Further identifying characteristic Description of further identifying characteristic of a product which enables the product to be distinguished from any similar products. GS1 Description: Extra descriptive information in free text which makes it possible to distinguish almost, but not completely, similar articles.
45	Private label name Describes the private label name of a product.

Used Codes

46	Silhouette Describes the outline of the item.
47	Warranty type description The warranty type description of the item.
48	Yarn count Describes the fineness of the yarn in the cloth. EDIFACT
61	New article The characteristic of a new item or commodity.
72	Vintage The harvest year of the grapes that are part of the composition of a particular wine.
75	Artist The performing artist(es) of a recorded song or piece of music.
76	Author The author of a written work.
77	Binding A description of the type of binding used for a written work.
78	Edition Description of the edition of a written work.
79	Other physical description Any other relevant physical description.
80	Publisher The publisher of a written piece of work as part of the item description.
81	Title The title of a work.
82	Series title Title of a series of works.
83	Volume title The title of a volume of work.
84	Composer The composer of a recorded song or piece of music.
85	Recording medium The medium on which a musical recording is made.
86	Music style The style of music.

Used Codes

87	Promotional event Describes the promotional event associated with a product.
98	Size Description of size in non-numeric terms.
120	Chemistry Code indicating the product's chemical characteristics.
126	Pattern Code indicating the product's pattern characteristics.
132	Fabric Code indicating the product's fabric characteristics.
169	Market segment Code indicating the market segment associated with a product.
171	Physical form Code indicating the physical form of a product.
196	Additional sectorial characteristics A code issued on a sectorial basis which identifies any additional characteristics of a product.
197	Product data base management description A description indicating how a product should be managed in a data base.
219	Style A kind, sort, or type that distinguishes one commodity from another commodity with similar characteristics. EDIFACT
223	Brand name The brand name of an item. EDIFACT
ANM	Article name (GS1 Temporary Code) The name of the product.
AVI	Available for ordering (GS1 Temporary Code) Goods are available for ordering.
BPD	Publication date (GS1 Temporary Code) The publication date of a written work as an element of the description.
BRN	Brand name (GS1 Temporary Code) Brand name used by the manufacturer for a product.
BVP	Volume or part number (GS1 Temporary Code) The volume or part number of a written work.
DSC	Description (GS1 Temporary Code) A non-structured description of a product.

Used Codes

ECO	ECO labelling description (GS1 Temporary Code) Description of ECO labelling.
EDS	Expiry date surpassed (GS1 Temporary Code) The expiry date for goods has been surpassed.
FGT	Fishing gear type (GS1 Permanent Code) Fishing gear type
FN	Functional Name (GS1 Temporary Code) Describes use of the product or service by the consumer. Should help clarify the product classification associated with the GTIN.
FNM	Functional Name (GS1 Temporary Code) Describes use of the product or service by the consumer. Should help clarify the product classification associated with the GTIN.
FPC	Fish presentation code (GS1 Permanent Code) Fish presentation code
FQG	Fish quality grade (GS1 Permanent Code) Fish quality grade
FRZ	Freezing information (GS1 Permanent Code) Freezing information
FSS	Fish standardized size (GS1 Permanent Code) Fish standardized size
GDC	GIFAM fault code (GS1 Temporary Code) A code used in the white goods industry to identify faults.
GEO	Geographical area (GS1 Permanent Code) Relevant geographical area.
HAN	Handling instructions (GS1 Temporary Code) A code identifying a coded description of handling instructions.
HAZ	Hazardous material codes (GS1 Temporary Code) A code identifying a coded description of hazardous materials.
IDC	IRIS fault code (GS1 Temporary Code) A code used in the brown goods industry to identify faults.
IN	Invoice name (GS1 Temporary Code) Free form information provider assigned trade item description designed to match trade item/service description as noted on invoices.
IRC	IRIS repair code (GS1 Temporary Code) A code used in the brown goods industry to identify a repair required to correct a fault.

Used Codes

ISC	IRIS section code (GS1 Temporary Code) A code used in the brown goods industry to identify a section containing a fault.
ISY	IRIS symptom code (GS1 Temporary Code) A code used in the brown goods industry to identify a symptom of a fault.
KEY	Keyword (GS1 Temporary Code) A word which may used as a search key to select items from a product file. A keyword is usually a word which does not exist in the product description but may exist in information accompanying the product, e.g. Keyword = Absorbent, Product description = Gauze dressing, Product information = 1 Peelpack with 10 absorbent gauze dressings.
MNF	Manufacturer (GS1 Temporary Code) The name of the manufacturer of the product which is printed on the product packaging.
NAV	Not available for ordering (GS1 Temporary Code) Goods are not available for ordering.
OFS	Order Fulfilment Strategy (GS1 Temporary Code) The method used by the supplier to fulfil a customer order for a particular product. Three strategies are recognised: Make to Order, Make to Stock and Engineer to Order.
PR	Product Range (GS1 Temporary Code) A name, used by a BrandOwner, that span multiple consumer categories or uses. E.g. (Waist Watchers).
PRO	Production Method (GS1 Permanent Code) Production Method Characteristics.
RLI	Rolling instructions (GS1 Temporary Code) Instructions concerning the rolling of material, e.g. paper, plastic, carpet, etc.
SB	Subbrand (GS1 Temporary Code) Second level of brand. Can be a trademark. It is the primary differentiating factor that a brand owner wants to communicate to the consumer or buyer.
SBN	Primary differentiating factor that a brand owner wants to communicate (GS1 Temporary Code) Second level of brand. Can be a trademark. It is the primary differentiating factor that a brand owner wants to communicate to the consumer or buyer. E.g. Yummy-Cola Classic. In this example Yummy-Cola is the brand and Classic is the subBrand.
SCT	Scientific name (GS1 Permanent Code) The scientific name of a product.
SDS	Shelf description (GS1 Temporary Code) A description of the product for shelf edge labelling purposes.

Used Codes

SGR	Size grid (GS1 Temporary Code) Grid of sizes, containing for a certain type of size (e.g., womans, France, etc) each possible value of the size (e.g., 28, 30, 32, etc).
STE	Style (GS1 Temporary Code) A code identifying the style of a product.
TDS	Technical description (GS1 Temporary Code) The technical description of a product.
TPE	Article type (GS1 Temporary Code) The article type allocated by the manufacturer to a product.
U02	Fiber (GS1 Temporary Code) A code identifying the fiber contained in a cloth.
U07	Yarn content (GS1 Temporary Code) A code indicating the yarn content of a fabric.
U08	Roll pattern out (GS1 Temporary Code) An instruction to roll the product with the pattern side facing out.
U09	Roll pattern in (GS1 Temporary Code) An instruction to roll the product with the pattern side facing in.
UP2	Packaging language (GS1 Temporary Code) Language used for package markings.
UP4	Promotional free goods (GS1 Temporary Code) Free goods not associated to any other product given for promotional reasons.
UP5	Width or fitting (GS1 Temporary Code) An indication of the width or fitting (e.g. wide, loose, etc.) of a shoe or textile product.
UP6	Material shoe upper (GS1 Temporary Code) An indication of the material (e.g. leather, suede, canvas, etc.) used to construct a shoe upper.
UP7	Material shoe sole (GS1 Temporary Code) An indication of the material (e.g. leather, rubber, etc.) used to construct the sole of a shoe.
UP8	Material lining (GS1 Temporary Code) An indication of the lining (e.g. silk, leather, etc.) of a shoe or textile product.
UP9	Shoe heel height (GS1 Temporary Code) An indication of the height of the heel of a shoe.
UQ1	Base article exception rule (GS1 Temporary Code) An indication that what follows is a base article exception rule.
UQ2	Orchestra (GS1 Temporary Code) The Orchestra of a recorded song or piece of music.

Used Codes

UQ3	Conductor (GS1 Temporary Code) The conductor of a recorded song or piece of music.
UQ5	Inspection agencies (GS1 Temporary Code) Characteristics to be described refer to inspection agencies controlling the item described.
UQ6	Product without theft protection (GS1 Temporary Code) The product is not fitted with a protection against theft.
UQ7	Product with theft protection, active (GS1 Temporary Code) The product is fitted with a protection against theft that has been activated.
UQ8	Product with theft protection, inactive (GS1 Temporary Code) The product is fitted with a protection against theft that has not been activated.
WVL	Weight or volume loss (GS1 Temporary Code) Goods have suffered a weight or volume loss.
XX1	Collar Type (GS1 Temporary Code) Type of collar on the garment.
XX2	Sleeve Type (GS1 Temporary Code) Type of sleeve on the garment.
XX3	Clothing Cut (GS1 Temporary Code)
XX4	Non marked trade item components (GS1 Temporary Code) This attribute indicates a nonsaleable part of the trade item. It is used to specify components of a trade item that cannot be sold separately.
XX5	Campaign name (GS1 Temporary Code) Name of the sales or marketing campaign, for which the textile trade item.
XX6	Season name (GS1 Temporary Code) Element defines the season applicable to the item.
XX7	Season parameter (GS1 Temporary Code) Indication of the season, in which the trade item is available, i.e. assignment to one of the following collection periods: spring/summer, autumn/ winter or all year around.
XX8	Target Consumer Age (GS1 Temporary Code) Identifies the target consumer age range for which a trade item has been designed.
XX9	Target Consumer Gender (GS1 Temporary Code) Identifies the target consumer gender for which a product has been designed.
XY1	Link to external description (GS1 Temporary Code) The link (e.g. URL) to the external description.

Used Codes

XY2	Additional Trade Item Description (GS1 Temporary Code) Additional variants necessary to communicate to the industry to help define the product. Multiple variants can be established for each GTIN. This is a repeatable field, e.g. Style, Color, and Fragrance.
XY3	Trade item group identification (GS1 Temporary Code) The text description of the value represented by the trade itemGroupIDCode.
XY4	Price by measure type (GS1 Temporary Code)
XY5	Variable trade item type (GS1 Temporary Code)
7143	Item type identification code Coded identification of an item type.
SA	Supplier's article number Number assigned to an article by the supplier of that article.
SRV	GS1 Global Trade Item Number A unique number, up to 14-digits, assigned according to the numbering structure of the GS1 system. 'GS1' stands for the 'Global Standards One'.
7233	Packaging related description code Code specifying information related to packaging.
52	Package barcoded UCC or EAN-128 The package is barcoded with UCC or EAN-128 code.
7405	Object identification code qualifier Code qualifying the identification of an object.
BJ	Serial shipping container code GS1 Description: A single unique serial number which identifies shipping containers or shipping packages.

Example

UNA:+.? '

The UNA segment contains the default service string characters.

UNB+UNOC:3+4012345000009:14:4012345000018+4000004000002:14:4000004000099+161013:1043+4711+REF:AA++++EANCOM+1'

The EANCOM file 4711 dated 13.10.2016, 10 h 43 is sent by the issuer identified with GLN 4012345000009 to the receiver identified with GLN 4000004000002.

UNH+ME000001+INVOIC:D:01B:UN:EAN010'

The reference number of the INVOIC message is ME000001.

BGM+380::9:301+87441+9'

The document number of the transport invoice is 87441.

DTM+137:20160823:102'

The document date is the 23th of August 2016.

DTM+35:20160315:102'

Date of delivery was 15th of March 2016.

DTM+200:20160314:102'

Date of delivery was 14th of March 2016.

FTX+AAK+1+ST1::246+Es ergeben sich Entgeltminderungen aufgrund: von Rabat t- oder Bonusvereinbarungen+DE'

Fee reduction applies, due to discount and bonus agreements.

FTX+REG+1+IGL::246++DE'

The invoice relates to a EU delivery.

RFF+CT:4712'

The invoice is part of invoice register 4712.

DTM+171:20160302:102'

Invoice register is dated 2th of March 2016.

RFF+ABO:8711'

The invoice is part of invoice register 8711.

DTM+171:20160301:102'

The date of the invoice register is 1th of March 2016.

RFF+CU:8765'

The message references to senders order number 8765.

DTM+171:20160301:102'

The date of the senders order number is 1th of March 2016.

RFF+FF:4713'

The message references to the reference number 4713 of the forwarder.

DTM+171:20160302:102'

The transport order number is dated 2th of March 2016.

RFF+DQ:3546'

The message references to delivery note number 3546.

DTM+171:20160302:102'

The delivery note number is dated 2th of March 2016.

RFF+IV:8711'

The credit note specifies reference no. 8711.

Example

DTM+171:20160302:102'

The invoice related reference is dated 2th of March 2016.

NAD+II+4071615111110::9+X:X:X:X:X'

The issuer of invoice is identified by GLN 4071615111110.

RFF+YC1:0815'

The additional identification is 0815.

RFF+VA:DE090909'

The VAT registration number is DE090909.

RFF+GN:HRB-471111'

German statements on business letters: HRB-471111

NAD+BY+4012345000009::9+X:X:X:X:X'

The invoicee is identified by Global Location Number (GLN) 4012345000009.

RFF+YC1:0816'

The internal identification is 0815.

RFF+VA:DE090909'

The VAT registration number is DE090909.

RFF+ADE:KS0815'

The account number identification is KS0815.

NAD+DEQ+++Tante:Anna:Laden+Bahnstr. 4+Weinheim++69469+DE'

The goods consignor is Tante Anna Laden, Bahnstr. 4 in DE-69469 Weinheim.

RFF+YC1:0826'

The additional identification of the goods consignor is 0826.

NAD+DP+++Tante:Anna:Laden+Maarweg 104+Köln++50825+DE'

The goods consignee is Tante Anna Laden, Maarweg 104 in DE-50825 Köln.

RFF+YC1:0836'

The additional identification of the goods consognee is 0836.

NAD+PW+++Tante Otto Laden+Mohnweg 14+Weinheim++69469+DE'

The place of loading is Tante Otto Laden, Mohnweg 14 in DE-69469 Weinheim.

RFF+YC1:14587'

The additional identification of the place of loading address is 14587.

TAX+7+VAT+++:::19+S'

The dominant tax rate of the document is 19%.

CUX+2:EUR:4+3:USD:11+0.90243'

The document has been invoiced in EURO.

DTM+134:20160315:102'

Date of the exchange rate is 15th of March 2016.

PAT+3'

The transport invoice contains a due date.

DTM+13:20160415:102'

Invoice is due on 15th of May 2016.

PAT+3'

The transport invoice contains a value date.

DTM+209:20160412:102'

Example

The value date is 12th of April 2016.

TOD+5++100:FIATA:246'

The risk and cost transfer takes place ex works (code value = 100).

LOC+1+:::Werk Köln'

The delivery terms location is the Cologne plant.

LIN+1++4000862141423:SRV'

The service type to be settled has the GTIN 4000862141423.

PIA+1+ABC5343:SA:::91'

Suppliers internal article number is ABC5343.

IMD+A+:::Frachtpauschale:::DE'

The article description is: Frachtpauschale.

QTY+47:66:KGM'

66 kg are invoiced.

MOA+203:108.13'

The line item amount is 108.13.

PRI+AAA:14.11:CA:AP:1:KGM'

PAC+1++CT'

The consignment consists of one package and is a carton.

MEA+PD+AAD+KGM:66'

The net weight of the service is 66 kg.

PCI+IEN+12337616644'

The package identification is 12337616644.

GIN+BJ+354123450000000014:X'

The SSCC is 340123450000000014

TAX+7+VAT+++:::19+S'

The VAT rate for the current line item is 19%.

UNS+S'

Separation of detail- and summary section

CNT+7:9'

The total weight of shipments is 9 units.

MOA+77:121.99'

The invoice amount is 121.99 EURO.

MOA+79:108.13'

The total of all net line amounts is 108.13 EURO.

MOA+125:105.16'

The taxable amount is 105.16 EURO.

MOA+124:16.83'

The invoice total VAT amount is 16.83 EURO.

TAX+7+VAT+++:::19+S'

The amounts based on a tax rate of 19% are:

MOA+124:16.83'

The invoice VAT amount is 16.83 EURO.

MOA+125:105.16'

Example

The taxable amount/tax rate is 105.16 EURO.

MOA+79:108.13'

The total of all net line amounts is 108.13 EURO.

UNT+64+ME000001'

The message contains 64 segments.

UNZ+1+4711'

The transmission file contains 1 message.
